

Data Surge Protector SPD TSJ Indoor 10/100 Base-T Ethernet Shielded RJ45 GDT, TBU, UL 497B



1101-1001 TSJ 10/100

Features

- 10/100 Base-T Ethernet
- RJ-45 Connectivity
- Dedicated Ground Lug
- Wall Mount

Applications

- 10/100 Base-T Ethernet Networks
- Telecommunications Base Stations
- WISP/ISP
- IT & Data Centers
- Point-to-Point Links
- Control Lines and Sense Loops
- Oil & Gas

Description

Data surge protector (also known as SPD or lightning protector) 1101-1001 from Transtector is an indoor style SPD that utilizes state of the art TBU/GDT technology to protect critical equipment in 10/100 Base-T Ethernet protocol data networks while remaining transparent to data throughput. This surge protector provides effective protection against electrical transient surges that are generated both by external lightning events and by internal switching events and supports long-term system reliability by absorbing high amounts of transient energy while maintaining a very low clamping voltage. Transtector Data Signal surge protectors are available in stock with same day shipping.

Electrical Specifications

Description	Minimum	Typical	Maximum	Units
Connectors		Shielded RJ45		
Compatible Cables		Cat5/5e UTP/STP, Cat6/6A STP		
Data Protocols		10/100 Base-T Ethernet		
Data Rate			100	Mb/s
Series Impedance (Data)				
Pins 1, 2, 3, 6			9	Ohms
Pins 4, 5, 7, 8			1	Ohms
Capacitance (Differential)			4	pF
Capacitance (Common)			4	pF
Vdc Rating (Data)		5	11	Vdc

Surge Protection Specification

Description	Minimum	Typical	Maximum	Units
Surge Protection Technology		GDT, TBU		

Click the following link (or enter part number in "SEARCH" on website) to obtain additional part information including price, inventory and certifications:
[Data Surge Protector SPD TSJ Indoor 10/100 Base-T Ethernet Shielded RJ45 GDT, TBU, UL 497B 1101-1001](#)

Data Surge Protector SPD TSJ Indoor 10/100 Base-T
 Ethernet Shielded RJ45 GDT, TBU, UL 497B



1101-1001
 TSJ 10/100

Protected Pins	[1,2], [3,6]		
Protection Modes	L-G, L-L		
10/1000 μ s Surge Current			
L-G		500	A
L-L		500	A
8/20 μ s Surge Current			
L-G		5	kA
L-L		5	kA
Response Time		75	ns

Mechanical Specifications

Size

Height	2.2 in	[55.88 mm]
Width	3.16 in	[80.26 mm]
Depth	1.64 in	[41.66 mm]
Weight	0.2 lbs	[90.72 g]

Environmental Specifications

Operating Temperature	-40 to +85 deg C
Storage Temperature	-40 to +85 deg C

Mount Type	Wall
Grounding	1/4-20 Stud

Compliance Certifications

RoHS Compliant	Yes
UL Compliant	Yes
Certifications	UL 497B

Click the following link (or enter part number in "SEARCH" on website) to obtain additional part information including price, inventory and certifications:
[Data Surge Protector SPD TSJ Indoor 10/100 Base-T Ethernet Shielded RJ45 GDT, TBU, UL 497B 1101-1001](#)

Data Surge Protector SPD TSJ Indoor 10/100 Base-T
Ethernet Shielded RJ45 GDT, TBU, UL 497B

1101-1001
TSJ 10/100



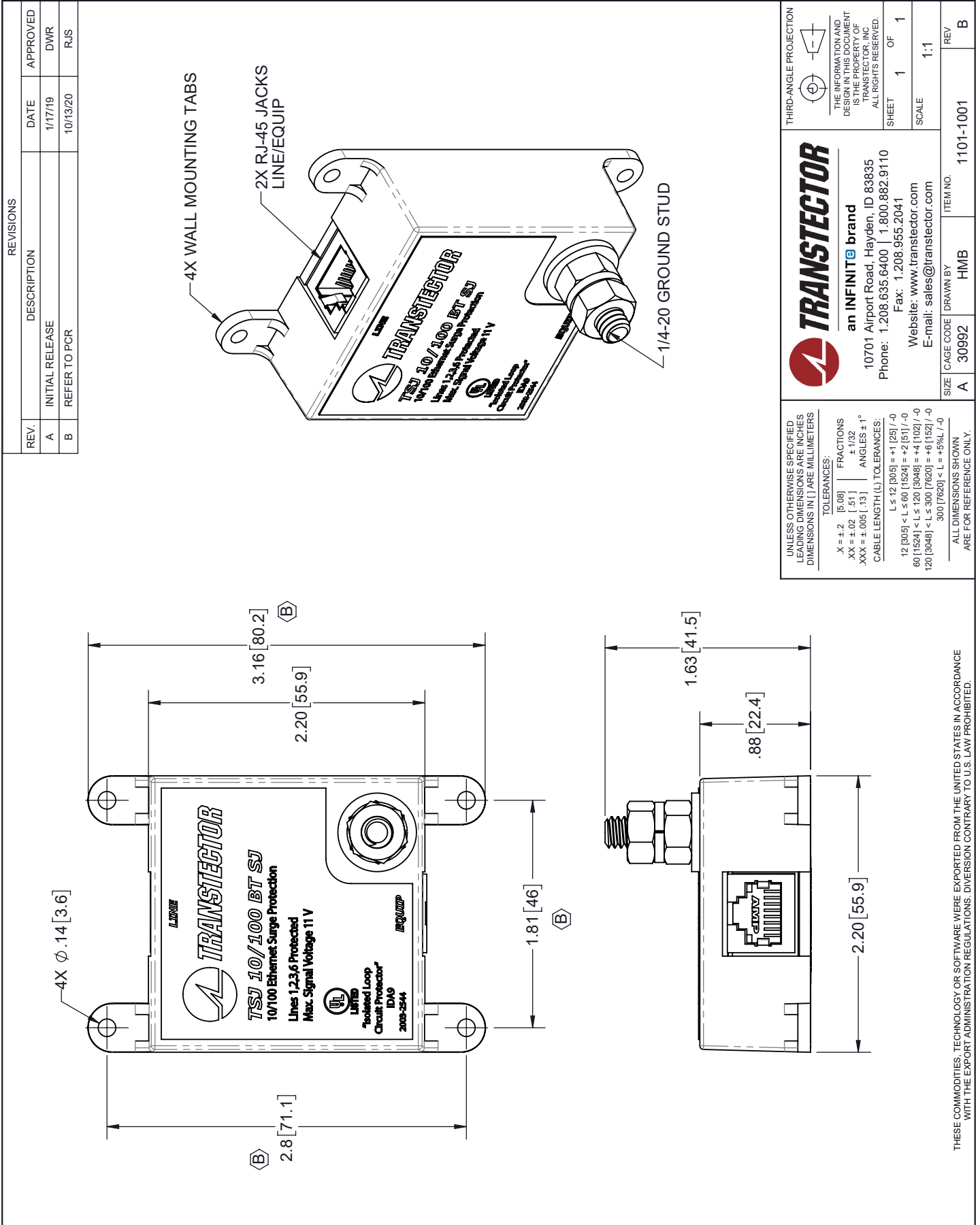
Transtector Systems specializes in protection of highly sensitive, low voltage equipment through its patented, non-degrading silicon diode technology and custom filters. Our power quality expertise translates into a diverse product offering including AC, DC, and signal applications as well as integrated cabinets, power distribution panels and EMP hardened devices.

Click the following link (or enter part number in “SEARCH” on website) to obtain additional part information including price, inventory and certifications: [Data Surge Protector SPD TSJ Indoor 10/100 Base-T Ethernet Shielded RJ45 GDT, TBU, UL 497B 1101-1001](#)

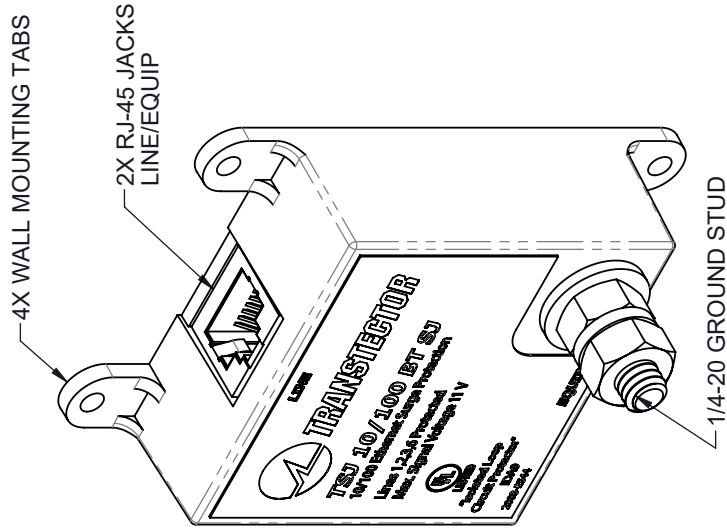
URL: <https://www.transtector.com/data-surge-protector-spd-tsj-indoor-10-1101-1001-p.aspx>

The information contained in this document is accurate to the best of our knowledge and representative of the part described herein. It may be necessary to make modifications to the part and/or the documentation of the part, in order to implement improvements. Transtector reserves the right to make such changes as required. Unless otherwise stated, all specifications are nominal. Transtector does not make any representation or warranty regarding the suitability of the part described herein for any particular purpose, and Transtector does not assume any liability arising out of the use of any part or documentation.

1101-1001 CAD Drawing



REVISIONS			
REV.	DESCRIPTION	DATE	APPROVED
A	INITIAL RELEASE	1/17/19	DWR
B	REFER TO PCR	10/13/20	RJS



UNLESS OTHERWISE SPECIFIED LEADING DIMENSIONS ARE INCHES DIMENSIONS IN [] ARE MILLIMETERS

TOLERANCES:
 X = ±.2 [5.08] | FRACTIONS ±.02 [0.51] | ANGLES ±1°
 .XXX = ±.005 [.13] | CABLE LENGTH (L) TOLERANCES:
 L ≤ 12 [305] = +.1 [25] / -0
 12 [305] < L ≤ 60 [1524] = +.2 [51] / -0
 60 [1524] < L ≤ 120 [3048] = +.4 [102] / -0
 120 [3048] < L ≤ 300 [7620] = +.6 [152] / -0
 300 [7620] < L = +5% / -0

ALL DIMENSIONS SHOWN ARE FOR REFERENCE ONLY.

THIRD-ANGLE PROJECTION

THE INFORMATION AND DESIGN IN THIS DOCUMENT IS THE PROPERTY OF TRANSTECTOR, INC. ALL RIGHTS RESERVED.

SHEET 1 OF 1
SCALE 1:1

TRANSTECTOR
 an INFINIT brand
 10701 Airport Road, Hayden, ID 83835
 Phone: 1.208.635.6400 | 1.800.882.9110
 Fax: 1.208.955.2041
 Website: www.transtector.com
 E-mail: sales@transtector.com

SIZE A | CAGE CODE 30992 | DRAWN BY HMB | ITEM NO. 1101-1001 | REV B

THESE COMMODITIES, TECHNOLOGY OR SOFTWARE WERE EXPORTED FROM THE UNITED STATES IN ACCORDANCE WITH THE EXPORT ADMINISTRATION REGULATIONS. DIVERSION CONTRARY TO U.S. LAW PROHIBITED.

T-Rev-D