

## Data Surge Protector SPD THUNDERBOLT Outdoor Gigabit Ethernet RJ45 GDT, TBU



**1101-1029**  
TB GBE

### Features

- Models for All Common Ethernet/PoE Protocols
- Ground Screws for Dual Lug
- IP67 When Provided Strain Reliefs Installed
- One IP67 Strain Relief Included
- Bulkhead Mount
- Pole Mount Kit 9100-0521

### Applications

- Gigabit Ethernet Networks
- Telecommunications Base Stations
- WISP/ISP
- IT & Data Centers
- Point-to-Point Links
- Control Lines and Sense Loops
- Oil & Gas

### Description

Data surge protector (also known as SPD or lightning protector) 1101-1029 from Transtector is an outdoor style SPD that utilizes state of the art TBU/GDT technology to protect critical equipment in Gigabit Ethernet protocol data networks while remaining transparent to data throughput. This surge protector provides effective protection against electrical transient surges that are generated both by external lightning events and by internal switching events and supports long-term system reliability by absorbing high amounts of transient energy while maintaining a very low clamping voltage. Transtector Data Signal surge protectors are available in stock with same day shipping.

### Electrical Specifications

| Description             | Minimum | Typical          | Maximum | Units |
|-------------------------|---------|------------------|---------|-------|
| Connectors              |         | RJ45             |         |       |
| Compatible Cables       |         | Cat5/5e UTP      |         |       |
| Data Protocols          |         | Gigabit Ethernet |         |       |
| Data Rate               |         |                  | 1,000   | Mb/s  |
| Series Impedance (Data) |         |                  | 9       | Ohms  |
| Vdc Rating (Data)       |         | 3.3              | 11      | Vdc   |

### Surge Protection Specification

| Description                 | Minimum | Typical                    | Maximum | Units |
|-----------------------------|---------|----------------------------|---------|-------|
| Surge Protection Technology |         | GDT, TBU                   |         |       |
| Protected Pins              |         | [1,2], [3,6], [4,5], [7,8] |         |       |
| Protection Modes            |         | L-G                        |         |       |

Click the following link (or enter part number in "SEARCH" on website) to obtain additional part information including price, inventory and certifications:  
[Data Surge Protector SPD THUNDERBOLT Outdoor Gigabit Ethernet RJ45 GDT, TBU 1101-1029](#)

Data Surge Protector SPD THUNDERBOLT Outdoor  
Gigabit Ethernet RJ45 GDT, TBU



**1101-1029**  
TB GBE

|                      |    |    |
|----------------------|----|----|
| 8/20µs Surge Current |    |    |
| L-G                  | 5  | kA |
| Response Time        | 75 | ns |

**Mechanical Specifications**

**Size**

|        |         |             |
|--------|---------|-------------|
| Height | 1.41 in | [35.81 mm]  |
| Width  | 1.41 in | [35.81 mm]  |
| Depth  | 3.97 in | [100.84 mm] |
| Weight | 1 lbs   | [453.59 g]  |

**Environmental Specifications**

|                       |                  |
|-----------------------|------------------|
| Operating Temperature | -40 to +75 deg C |
| Storage Temperature   | -40 to +75 deg C |

|                                 |      |
|---------------------------------|------|
| Environmental Protection Rating | IP67 |
|---------------------------------|------|

**Installation**

|                       |   |
|-----------------------|---|
| Mount Type            | Bulkhead  |
| Installation Hardware | Strain Relief, Shroud Gasket, M29 Nut, M29 Flat Washer, Bulkhead Gasket, Ground Screw |
| Grounding             | 10-32 x 1/4 PH Screw  |

Transtector Systems specializes in protection of highly sensitive, low voltage equipment through its patented, non-degrading silicon diode technology and custom filters. Our power quality expertise translates into a diverse product offering including AC, DC, and signal applications as well as integrated cabinets, power distribution panels and EMP hardened devices.

Click the following link (or enter part number in "SEARCH" on website) to obtain additional part information including price, inventory and certifications: [Data Surge Protector SPD THUNDERBOLT Outdoor Gigabit Ethernet RJ45 GDT, TBU 1101-1029](https://www.transtector.com/data-surge-protector-spd-thunderbolt-outdoor-gigabit-1101-1029-p.aspx)

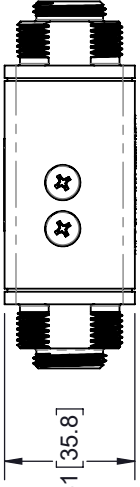
URL: <https://www.transtector.com/data-surge-protector-spd-thunderbolt-outdoor-gigabit-1101-1029-p.aspx>

The information contained in this document is accurate to the best of our knowledge and representative of the part described herein. It may be necessary to make modifications to the part and/or the documentation of the part, in order to implement improvements. Transtector reserves the right to make such changes as required. Unless otherwise stated, all specifications are nominal. Transtector does not make any representation or warranty regarding the suitability of the part described herein for any particular purpose, and Transtector does not assume any liability arising out of the use of any part or documentation.

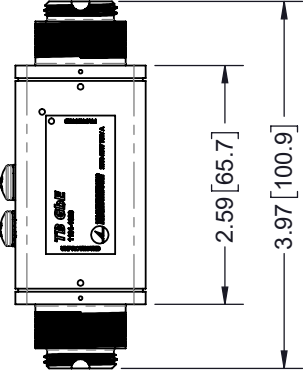
1101-1029 CAD Drawing

| REVISIONS |                 |                 |
|-----------|-----------------|-----------------|
| REV.      | DESCRIPTION     | DATE            |
| A         | INITIAL RELEASE | 1/17/19         |
|           |                 | APPROVED<br>DWR |



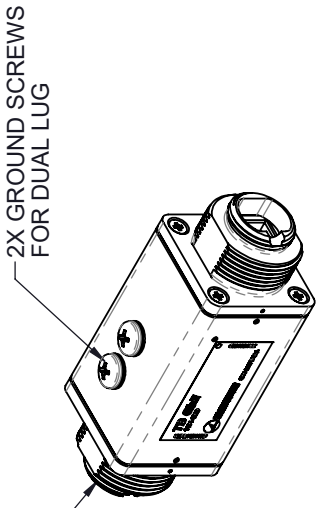
1.41 [35.8]



2.59 [65.7]

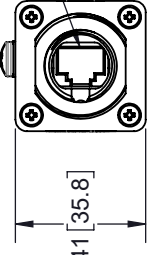
3.97 [100.9]



2X GROUND SCREWS FOR DUAL LUG

2X BULKHEAD MOUNT CONNECTORS WITH PROVISIONS FOR IP67 STRAIN RELIEF



1.41 [35.8]

2X RJ45 JACKS LINE/EQUIP

UNLESS OTHERWISE SPECIFIED LEADING DIMENSIONS ARE INCHES DIMENSIONS IN [ ] ARE MILLIMETERS

TOLERANCES:


.X±.2 [5.08]    FRACTIONS ±.132

XX±.01 [.25]    ANGLES ±1°

XXX±.005 [.13]

ALL DIMENSIONS SHOWN ARE FOR REFERENCE ONLY.

THIRD-ANGLE PROJECTION




THE INFORMATION AND DESIGN IN THIS DOCUMENT IS THE PROPERTY OF TRANSTECTOR CORPORATION. ALL RIGHTS RESERVED.

SHEET 1 OF 1

SCALE 1:2



10701 AIRPORT ROAD, HAYDEN, ID, 83835  
PHONE: 1.208.635.6400 | 1.800.882.9110  
FAX: 1.208.955.2041  
www.transtector.com | e-mail: sales@transtector.com

SIZE CAGE    DRAWN BY    PART NUMBER

A    30992    HMB    1101-1029

REV    A

THESE COMMODITIES, TECHNOLOGY OR SOFTWARE WERE EXPORTED FROM THE UNITED STATES IN ACCORDANCE WITH THE EXPORT ADMINISTRATION REGULATIONS. DIVERSION CONTRARY TO U.S. LAW PROHIBITED.