

## DC Surge Protector SPD I2R DTA/DSA Blade Fuse



### 3600-105 I2R DTA Fuse, 80A

#### Features

- Visual Suppression Status Indicator
- Dry Contact Remote Annunciation Terminals
- Replaceable Fuse Module for I2R DTA Units
- DIN-Rail Mount

#### Applications

- Industrial Automation
- Controls & Sense Loops
- Telecommunications Base Stations
- IT & Data Centers
- Wastewater Treatment
- Rail
- Oil & Gas
- LED Lighting

#### Electrical Specifications

Description	Minimum	Typical	Maximum	Units
Current Rating			80	A

#### Mechanical Specifications

Size			
Height	1.35 in	[34.29 mm]	
Width	0.35 in	[8.89 mm]	
Depth	1.15 in	[29.21 mm]	

Transtector Systems specializes in protection of highly sensitive, low voltage equipment through its patented, non-degrading silicon diode technology and custom filters. Our power quality expertise translates into a diverse product offering including AC, DC, and signal applications as well as integrated cabinets, power distribution panels and EMP hardened devices.

Click the following link (or enter part number in "SEARCH" on website) to obtain additional part information including price, inventory and certifications: [DC Surge Protector SPD I2R DTA/DSA Blade Fuse 3600-105](https://www.transtector.com/dc-surge-protector-spd-i2r-dta-dsa-3600-105-p.aspx)

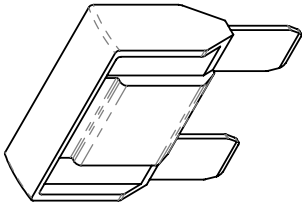
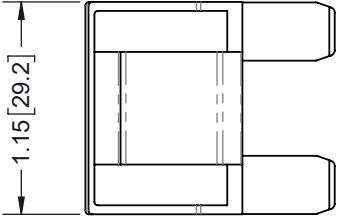
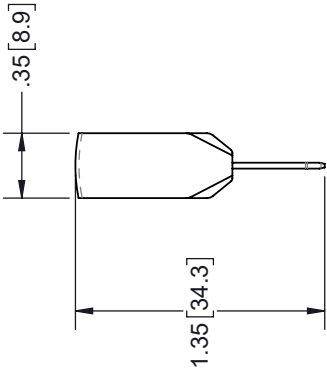
URL: <https://www.transtector.com/dc-surge-protector-spd-i2r-dta-dsa-3600-105-p.aspx>

The information contained in this document is accurate to the best of our knowledge and representative of the part described herein. It may be necessary to make modifications to the part and/or the documentation of the part, in order to implement improvements. Transtector reserves the right to make such changes as required. Unless otherwise stated, all specifications are nominal. Transtector does not make any representation or warranty regarding the suitability of the part described herein for any particular purpose, and Transtector does not assume any liability arising out of the use of any part or documentation.

3600-105 CAD Drawing

REVISIONS		
REV.	DESCRIPTION	DATE
A	INITIAL RELEASE	1/17/19
		APPROVED DWR

UNLESS OTHERWISE SPECIFIED LEADING DIMENSIONS ARE INCHES DIMENSIONS IN [ ] ARE MILLIMETERS

**TOLERANCES:**  
 .X±.2 [5.08]    FRACTIONS ±.1/32  
 .XX±.01 [.25]    ANGLES ±1°  
 .XXX±.005 [.13]

ALL DIMENSIONS SHOWN ARE FOR REFERENCE ONLY.  
 THIRD-ANGLE PROJECTION

**TRANSTECTOR**

10701 AIRPORT ROAD, HAYDEN, ID, 83835  
 PHONE: 1.208.635.6400 | 1.800.882.9110  
 FAX: 1.208.955.2041  
 www.transtector.com | e-mail: sales@transtector.com

THE INFORMATION AND DESIGN IN THIS DOCUMENT IS THE PROPERTY OF TRANSTECTOR CORPORATION. ALL RIGHTS RESERVED.	SHEET 1 OF 1	SCALE 1:1	REV A
SIZE CAGE DRAWN BY PART NUMBER A 30992 HMB 3600-105			

THESE COMMODITIES, TECHNOLOGY OR SOFTWARE WERE EXPORTED FROM THE UNITED STATES IN ACCORDANCE WITH THE EXPORT ADMINISTRATION REGULATIONS. DIVERSION CONTRARY TO U.S. LAW PROHIBITED.