

6

5

4

3

2

1

REVISION

ZONE	REV	DESCRIPTION	DATE	CHANGED BY	APPROVED
	1	INITIAL RELEASE	02/20/2024	HBAKKE	DREBECK

F

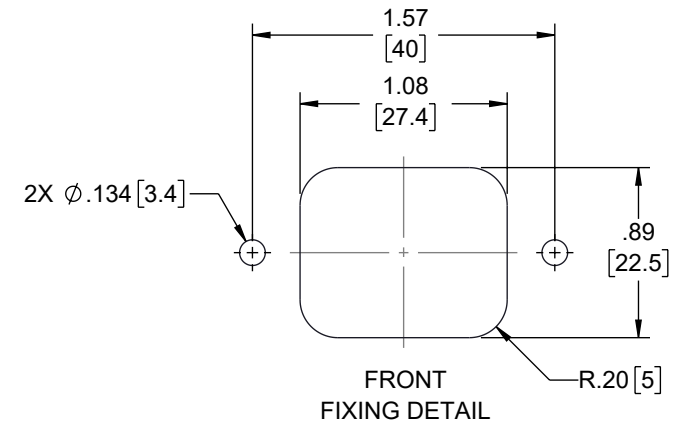
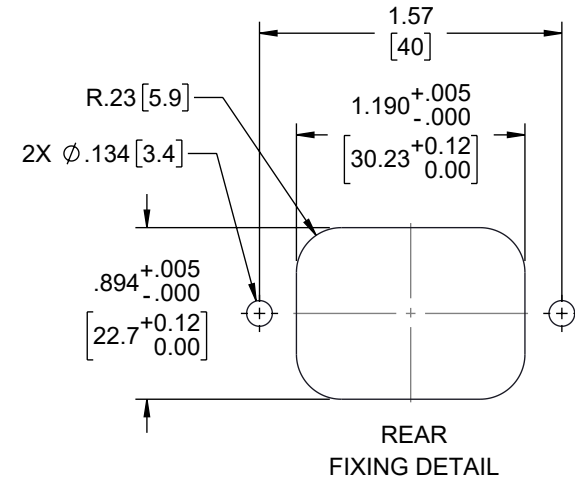
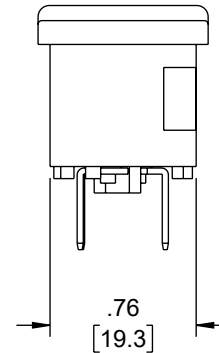
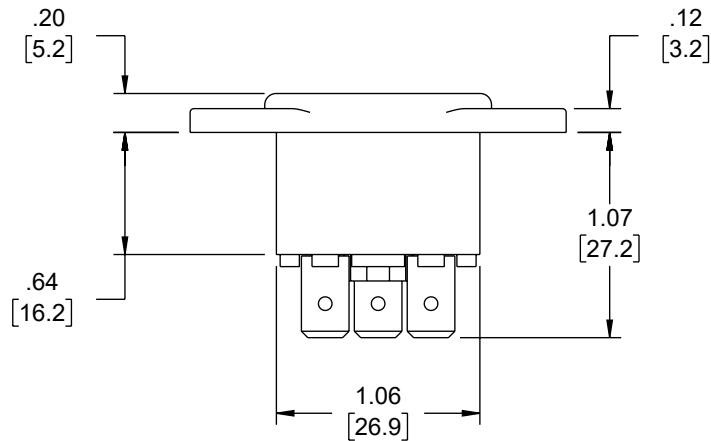
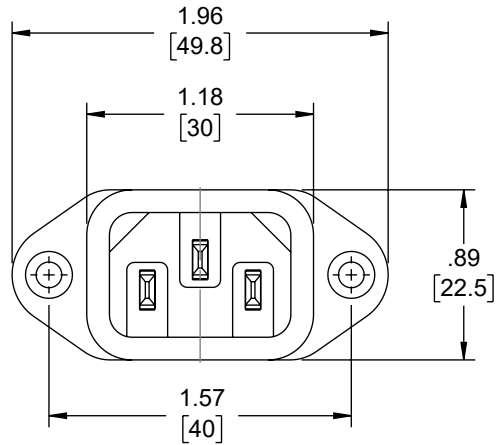
E

D

C

B

A



NOTES:

- CONNECTOR TYPE: C14
- RATING: 15A, 250V AC
- FEATURES: FLANGE MOUNT 6.3mm QUICK-CONNECT TERMINATIONS
- PACKAGING NOTE:
ITEM SHALL BE INDIVIDUALLY PACKAGED, LABEL PER LSP-010-5
- ALL DIMENSIONS FOR REFERENCE ONLY

THE INFORMATION CONTAINED IN THIS DRAWING IS THE SOLE PROPERTY OF INFINITE ELECTRONICS, INC. ANY REPRODUCTION IN PART OR WHOLE WITHOUT THE WRITTEN PERMISSION OF INFINITE ELECTRONICS, INC. IS PROHIBITED. THESE COMMODITIES, TECHNOLOGY OR SOFTWARE WERE EXPORTED FROM THE UNITED STATES IN ACCORDANCE WITH THE EXPORT ADMINISTRATION REGULATIONS. DIVERSION CONTRARY TO U.S. LAW PROHIBITED.

UNLESS OTHERWISE SPECIFIED
LEADING DIMENSIONS ARE INCHES
DIMENSIONS IN [] ARE MILLIMETERS

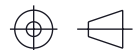
TOLERANCES:
 .X = ±.2 [5] FRACTIONS ± 1/32
 .XX = ±.02 [0.5] ANGLES ± 1°
 .XXX = ±.005 [0.13]

CABLE LENGTH TOLERANCES:
 ≤12 [305] = +1 [25] / -0
 >12 [305] ≤ 60 [1524] = +2 [51] / -0
 >60 [1524] ≤ 120 [3048] = +4 [102] / -0
 >120 [3048] ≤ 300 [7620] = +6 [152] / -0
 >300 [7620] = +5% / -0

ALL DIMENSIONS ARE FOR REFERENCE ONLY
AND SUBJECT TO CHANGE WITHOUT NOTICE.
UN-DIMENSIONED/NON-CRITICAL FEATURES
MAY VARY IN SIZE AND LOCATION
COLORS MAY VARY

 **TRANSTECTOR**
an INFINIT[®] brand

Website: www.Transtector.com
Phone: 1.800.882.9110 | 1.208.635.6400



INTERPRET ALL DIMENSIONS AND TOLERANCES PER ASME Y14.5

SCALE	SHEET
NONE	1 OF 1

DESCRIPTION
AC PEM C14 PANEL FLANGE 6.3mm QUICK-CONNECT

SIZE	CAGE CODE	DRAWN BY	ITEM NO.	REV
A	30992	HBAKKE	ACM-C4-GQ6-TT	1

6

5

4

3

2

1