

DC Breaker, 2U, 100A

DCBKR2B-100



Features

- Branch Breakers for DCPDU2B Rack Mount DC PDUs
- Field-Configurable
- UL489 Listed

Applications

- Telecommunications Base Stations
- Land Mobile Radio
- First Responder Sites
- Emergency Management Systems
- Industrial Automation
- Utilities

Electrical Specifications

Description	Minimum	Typical	Maximum	Units
Service Voltage	24		48	Vdc
Output Voltage		48		Vdc
Maximum Continuous Operating Voltage (MCOV)				
Line to Return			80	Vdc
Input Current			100	A

Mechanical Specifications

Weight 0.5 lbs [226.8 g]

Monitoring and Control

Alarm Relays 0
 Operating Temperature -10 to +70deg C
 Storage Temperature -40 to +85deg C

Compliance Certifications

UL Compliant UL489
 RoHS Compliant Yes

Click the following link (or enter part number in "SEARCH" on website) to obtain additional part information including price, inventory and certifications:
[DC Breaker, 2U, 100A DCBKR2B-100](#)

DC Breaker, 2U, 100A

DCBKR2B-100 DC Circuit Breaker

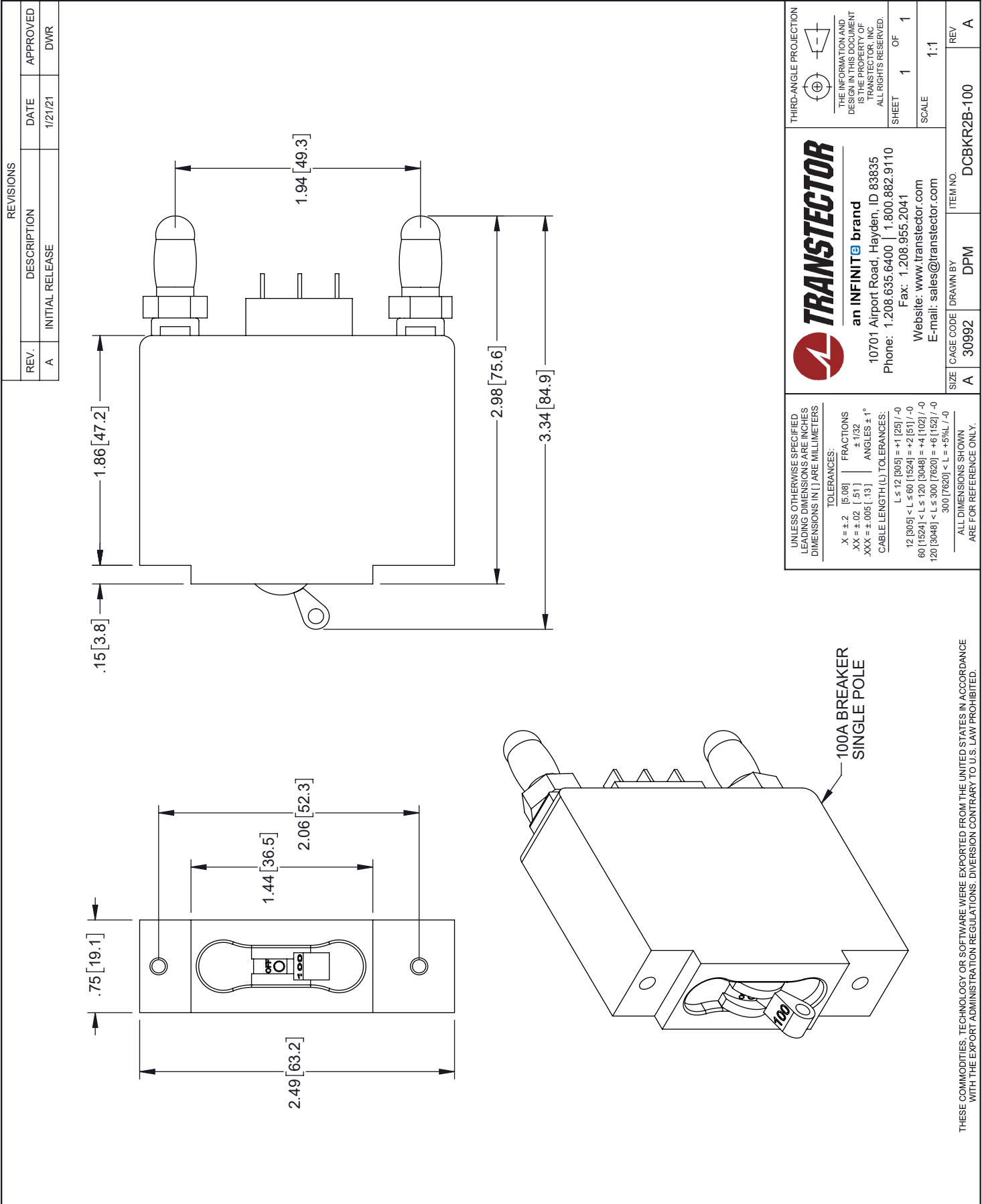
Transtector Systems specializes in protection of highly sensitive, low voltage equipment through its patented, non-degrading silicon diode technology and custom filters. Our power quality expertise translates into a diverse product offering including AC, DC, and signal applications as well as integrated cabinets, power distribution panels and EMP hardened devices.

Click the following link (or enter part number in “SEARCH” on website) to obtain additional part information including price, inventory and certifications: [DC Breaker, 2U, 100A DCBKR2B-100](#)

URL: <https://www.transtector.com/dc-circuit-breaker-rack-mount-pdu-dc-dcbkr2b-100-p.aspx>

The information contained in this document is accurate to the best of our knowledge and representative of the part described herein. It may be necessary to make modifications to the part and/or the documentation of the part, in order to implement improvements. Transtector reserves the right to make such changes as required. Unless otherwise stated, all specifications are nominal. Transtector does not make any representation or warranty regarding the suitability of the part described herein for any particular purpose, and Transtector does not assume any liability arising out of the use of any part or documentation.

DCBK2B-100 CAD Drawing



THESE COMMODITIES, TECHNOLOGY OR SOFTWARE WERE EXPORTED FROM THE UNITED STATES IN ACCORDANCE WITH THE EXPORT ADMINISTRATION REGULATIONS. DIVERSION CONTRARY TO U.S. LAW PROHIBITED.

T-Rev-D