

Data Surge Protector SPD DPR Indoor Gigabit Ethernet PoE++ Shielded RJ45 SASD, GDT CE Compliant, EN/IEC 60950-1, UL 497B



DPR-F140

DPR Fit

Features

- UL 497B, EN/IEC 60950-1, CE, RoHS
- Purpose Designed Modules for all Common Data Protocols
- Configurable Mixed Signal Protection
- RJ-45 Connectivity
- Mount into DPR Chassis, DIN-Rail Mount or Wall Mount

Applications

- Gigabit Ethernet/PoE++ Networks
- Telecommunications Base Stations
- WISP/ISP
- IT & Data Centers
- Point-to-Point Links
- Control Lines and Sense Loops
- Oil & Gas

Description

Data surge protector (also known as SPD or lightning protector) DPR-F140 from Transtector is an indoor style SPD that utilizes state of the art SASD/GDT technology to protect critical equipment in Gigabit Ethernet PoE++ protocol data networks while remaining transparent to data throughput. This surge protector provides effective protection against electrical transient surges that are generated both by external lightning events and by internal switching events and supports long-term system reliability by absorbing high amounts of transient energy while maintaining a very low clamping voltage. Transtector Data Signal surge protectors are available in stock with same day shipping.

Electrical Specifications

Description	Minimum	Typical	Maximum	Units
Connectors		Shielded RJ45		
Compatible Cables		Cat5/5e UTP/STP, Cat6/6A STP		
Data Protocols		Gigabit Ethernet PoE++		
Data Rate			1,000	Mb/s
Characteristic Impedance			100	Ohms
Series Impedance (Data)			1	Ohms
Capacitance (Differential)			30	pF
Capacitance (Common)			5	pF
Power over Ethernet Protocols		PoE++		
Vdc Rating (Data)		48	60	Vdc
PoE Power			100	W
PoE Current Per Pin			1.5	A

Click the following link (or enter part number in "SEARCH" on website) to obtain additional part information including price, inventory and certifications:
[Data Surge Protector SPD DPR Indoor Gigabit Ethernet PoE++ Shielded RJ45 SASD, GDT CE Compliant, EN/IEC 60950-1, UL 497B DPR-F140](#)

Data Surge Protector SPD DPR Indoor Gigabit Ethernet PoE++ Shielded RJ45 SASD, GDT CE Compliant, EN/IEC 60950-1, UL 497B



DPR-F140

DPR Fit

Surge Protection Specification

Description	Minimum	Typical	Maximum	Units
Surge Protection Technology		SASD, GDT		
Protected Pins		[1,2], [3,6], [4,5], [7,8]		
Protection Modes		L-G, L-L, S-G		
10/1000 μ s Surge Current				
L-G			100	A
8/20 μ s Surge Current				
L-G			2	kA
L-L			0.1	kA
S-G			20	kA
Response Time			5	ns

Mechanical Specifications

Size

Height	0.94 in	[23.88 mm]
Width	0.97 in	[24.64 mm]
Depth	3.67 in	[93.22 mm]
Weight	0.2 lbs	[90.72 g]

Environmental Specifications

Operating Temperature	-40 to +75 deg C
Storage Temperature	-40 to +75 deg C

Mount Type	Wall, DIN, Rack
Installation Hardware	Ground Clip, 4-40 PH Phillips Screw, #4 Split Lock Washer
Grounding	DIN Clip

Compliance Certifications

CE Compliant	Yes
--------------	-----

Click the following link (or enter part number in "SEARCH" on website) to obtain additional part information including price, inventory and certifications:
[Data Surge Protector SPD DPR Indoor Gigabit Ethernet PoE++ Shielded RJ45 SASD, GDT CE Compliant, EN/IEC 60950-1, UL 497B DPR-F140](#)

Data Surge Protector SPD DPR Indoor Gigabit Ethernet PoE++ Shielded
RJ45 SASD, GDT CE Compliant, EN/IEC 60950-1, UL 497B



DPR-F140
DPR Fit

UL Compliant
Certifications

Yes
UL 497B
EN/IEC 60950-1
NOM

Transtector Systems specializes in protection of highly sensitive, low voltage equipment through its patented, non-degrading silicon diode technology and custom filters. Our power quality expertise translates into a diverse product offering including AC, DC, and signal applications as well as integrated cabinets, power distribution panels and EMP hardened devices.

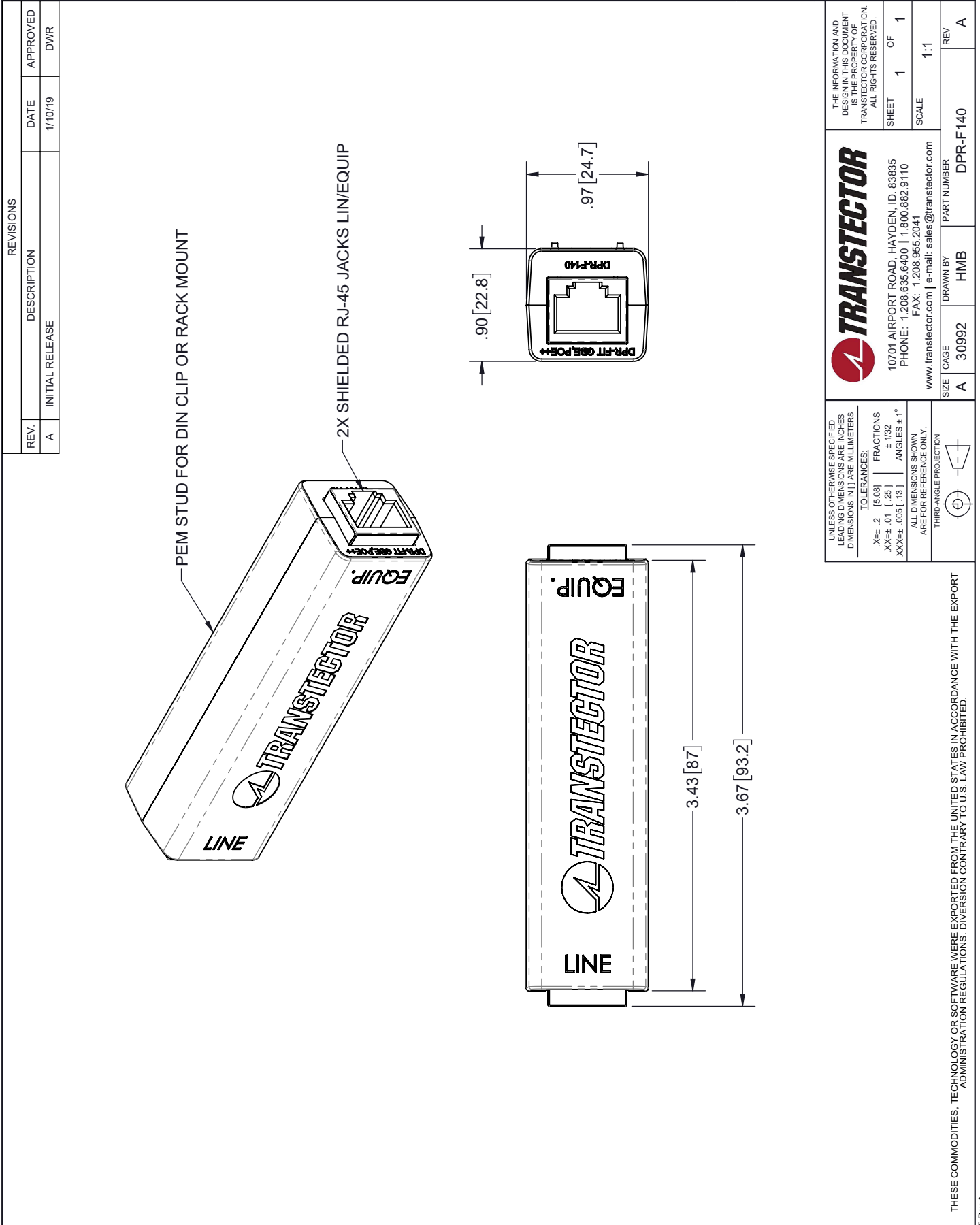
Click the following link (or enter part number in “SEARCH” on website) to obtain additional part information including price, inventory and certifications: [Data Surge Protector SPD DPR Indoor Gigabit Ethernet PoE++ Shielded RJ45 SASD, GDT CE Compliant, EN/IEC 60950-1, UL 497B DPR-F140](#)

URL: <https://www.transtector.com/data-surge-protector-spd-dpr-indoor-gigabit-dpr-f140-p.aspx>

The information contained in this document is accurate to the best of our knowledge and representative of the part described herein. It may be necessary to make modifications to the part and/or the documentation of the part, in order to implement improvements. Transtector reserves the right to make such changes as required. Unless otherwise stated, all specifications are nominal. Transtector does not make any representation or warranty regarding the suitability of the part described herein for any particular purpose, and Transtector does not assume any liability arising out of the use of any part or documentation.

Data Surge Protector SPD DPR Indoor Gigabit Ethernet PoE++ Shielded RJ45 SASD, GDT CE Compliant, EN/IEC 60950-1, UL 497B

DPR-F140 CAD Drawing



REVISIONS		
REV.	DESCRIPTION	DATE
A	INITIAL RELEASE	1/10/19
		APPROVED
		DWR

<p>UNLESS OTHERWISE SPECIFIED LEADING DIMENSIONS ARE INCHES DIMENSIONS IN [] ARE MILLIMETERS</p> <p>TOLERANCES: .X±.2 [5.08] FRACTIONS ± 1/32 .XX±.01 [.25] ANGLES ± 1° XXX±.005 [.13]</p> <p>ALL DIMENSIONS SHOWN ARE FOR REFERENCE ONLY. THIRD-ANGLE PROJECTION</p>		<p>THE INFORMATION AND DESIGN IN THIS DOCUMENT IS THE PROPERTY OF TRANSTECTOR CORPORATION. ALL RIGHTS RESERVED.</p> <p>SHEET 1 OF 1 SCALE 1:1</p>	
<p>TRANSTECTOR</p> <p>10701 AIRPORT ROAD, HAYDEN, ID. 83835 PHONE: 1.208.635.6400 1.800.882.9110 FAX: 1.208.955.2041 www.transctor.com e-mail: sales@transctor.com</p>		<p>REV A</p>	
<p>SIZE A</p>	<p>CAGE 30992</p>	<p>DRAWN BY HMB</p>	<p>PART NUMBER DPR-F140</p>

THESE COMMODITIES, TECHNOLOGY OR SOFTWARE WERE EXPORTED FROM THE UNITED STATES IN ACCORDANCE WITH THE EXPORT ADMINISTRATION REGULATIONS. DIVERSION CONTRARY TO U.S. LAW PROHIBITED.

T-Rev A