

LV Fuse, 350A, Fast Acting, Current Limiting, DIN Bolt Connection



FOCP-HPDC-350-DB

LV Fuse, 350A, Fast Acting, Current Limiting, DIN Bolt Connection

Features

- High Speed Fusing Characteristics
- High Current Breaking Capacity
- Good Current Limiting Performance
- Utilization Category: aR / aBat
- DIN Bolt Style Mounting
- UL 248-13 Certified

Applications

- Electric Vehicle Charging Stations
- Photovoltaic (Solar) Systems
- DC Power Systems
- Power Conversion Equipment Protection
- Battery Protection

Description

DC power fuse (also known as overcurrent protector) FOCP-HPDC-350-DB from Transtector is a UL248-13 rectangular style device that utilizes state of the art high speed fusing technology to protect a wide range of applications from physical damage and fire via good current limiting performance and high current breaking capacity. This overcurrent protector offers a DIN Bolt style mounting type for electrical services with up to a 350 A maximum current rating. Transtector DC power fuses are available in stock with same day shipping.

Electrical Specifications

Description	Minimum	Typical	Maximum	Units
Rated Current (In)			350	A
Rated DC Voltage			1,500	Vdc
DC Breaking Capacity (I1)			250	kA

Mechanical Specifications

Size

Height	3 in	[76.2 mm]
Width	2.4 in	[60.96 mm]
Depth	7.7 in	[195.58 mm]
Weight	3.5 lbs	[1.59 kg]

Environmental Specifications

Temperature Range (Operational)	-40 to +80 deg C
Temperature Range (Storage)	-40 to +80 deg C
Humidity	95% non-condensing
Altitude	2000m (derate In linearly to 0.85 @ 5000m)

Click the following link (or enter part number in "SEARCH" on website) to obtain additional part information including price, inventory and certifications:
[LV Fuse, 350A, Fast Acting, Current Limiting, DIN Bolt Connection FOCP-HPDC-350-DB](#)

LV Fuse, 350A, Fast Acting, Current Limiting, DIN Bolt Connection



FOCP-HPDC-350-DB

LV Fuse, 350A, Fast Acting, Current
Limiting, DIN Bolt Connection

Environmental Specification Notes:
Indoor

Installation

Mount Type

DIN Bolt

Compliance Certifications

UL Compliant
Certifications

Yes
UL 248-13

Click the following link (or enter part number in "SEARCH" on website) to obtain additional part information including price, inventory and certifications:
[LV Fuse, 350A, Fast Acting, Current Limiting, DIN Bolt Connection FOC-HPDC-350-DB](#)

LV Fuse, 350A, Fast Acting, Current Limiting, DIN Bolt Connection

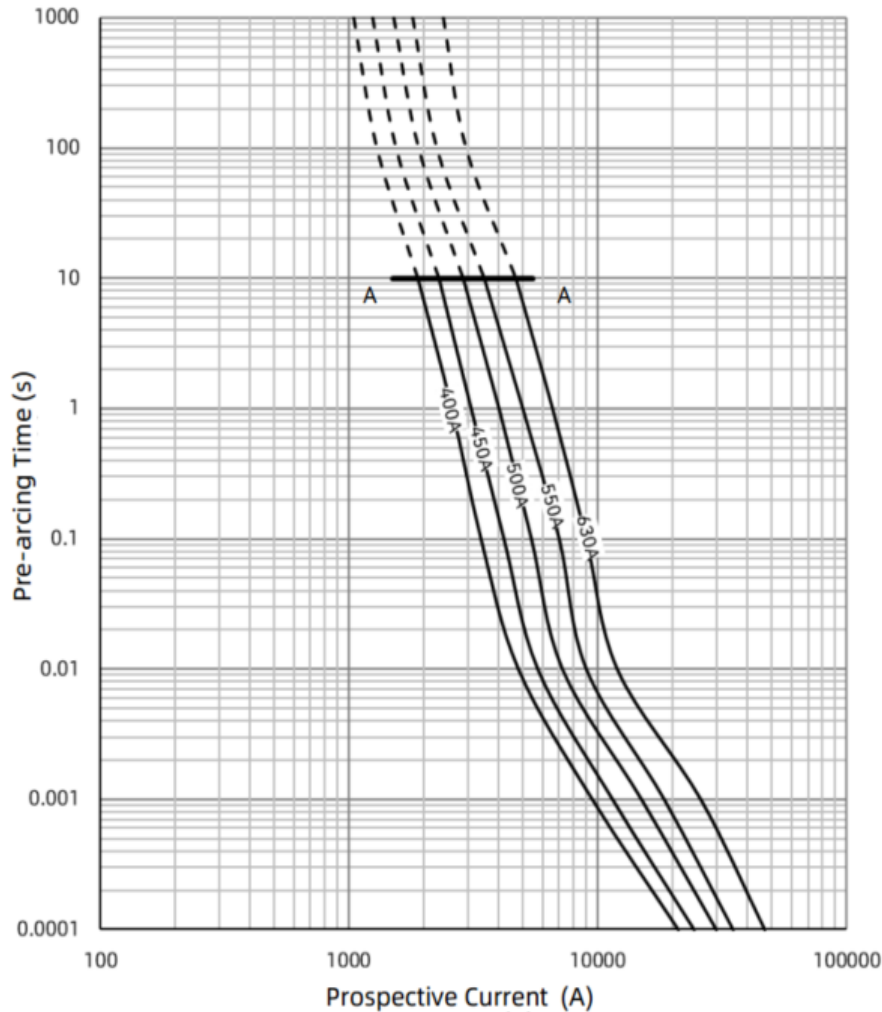


FOCP-HPDC-350-DB

LV Fuse, 350A, Fast Acting, Current Limiting, DIN Bolt Connection

Typical Performance Data

Time-Current Characteristics (reference only)



Click the following link (or enter part number in "SEARCH" on website) to obtain additional part information including price, inventory and certifications:
[LV Fuse, 350A, Fast Acting, Current Limiting, DIN Bolt Connection FOC-HPDC-350-DB](#)

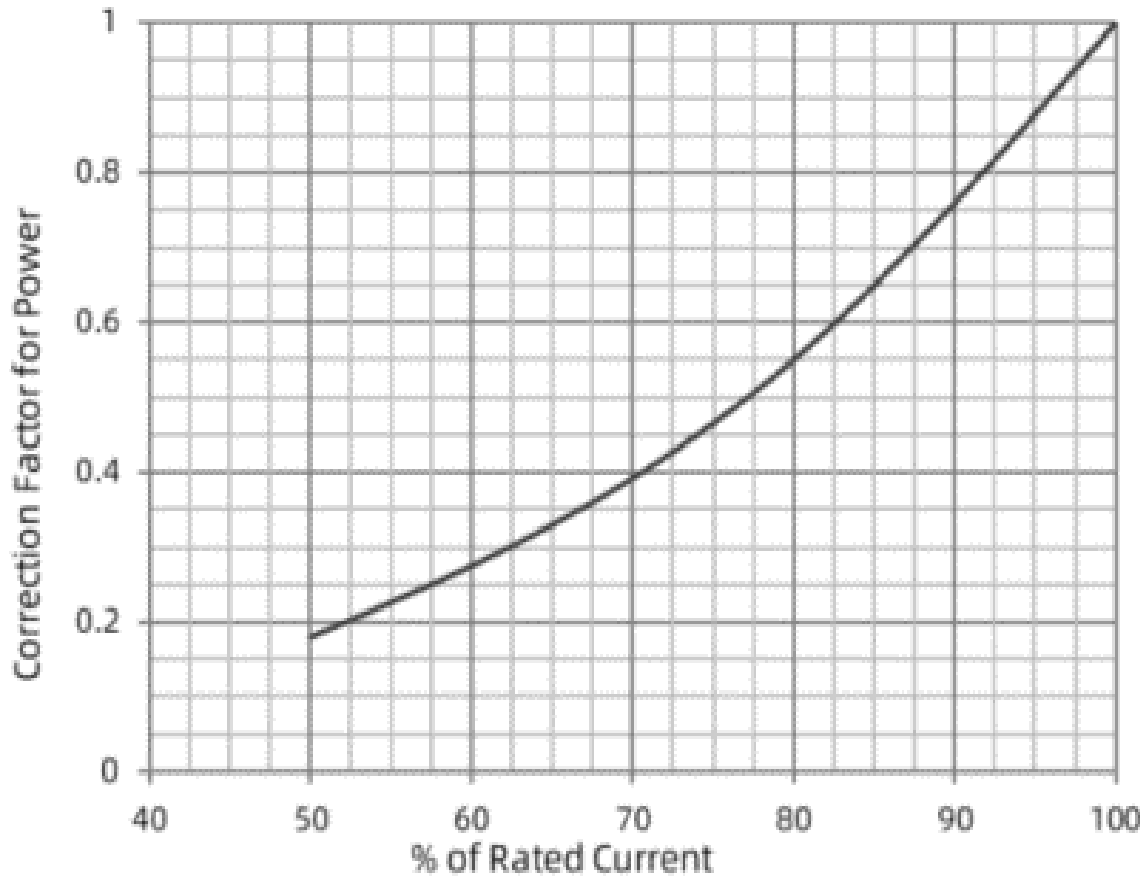
LV Fuse, 350A, Fast Acting, Current Limiting, DIN Bolt Connection



FOCP-HPDC-350-DB

LV Fuse, 350A, Fast Acting, Current Limiting, DIN Bolt Connection

Power Dissipation Curve



Click the following link (or enter part number in "SEARCH" on website) to obtain additional part information including price, inventory and certifications:
[LV Fuse, 350A, Fast Acting, Current Limiting, DIN Bolt Connection FOCP-HPDC-350-DB](#)

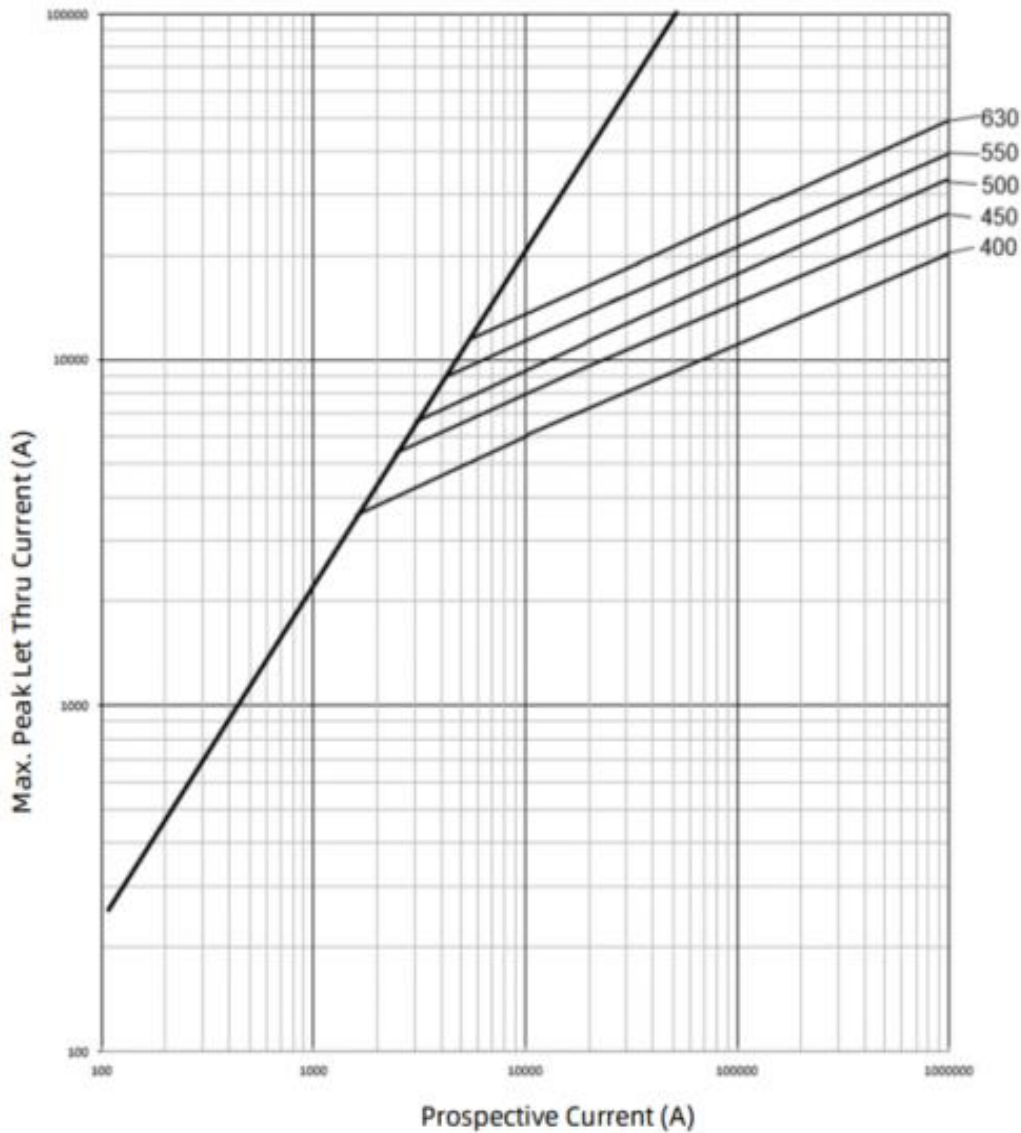
LV Fuse, 350A, Fast Acting, Current Limiting, DIN Bolt Connection



FOCP-HPDC-350-DB

LV Fuse, 350A, Fast Acting, Current Limiting, DIN Bolt Connection

Peak Let-Through Current Curve



Click the following link (or enter part number in "SEARCH" on website) to obtain additional part information including price, inventory and certifications:
[LV Fuse, 350A, Fast Acting, Current Limiting, DIN Bolt Connection FOC-HPDC-350-DB](#)

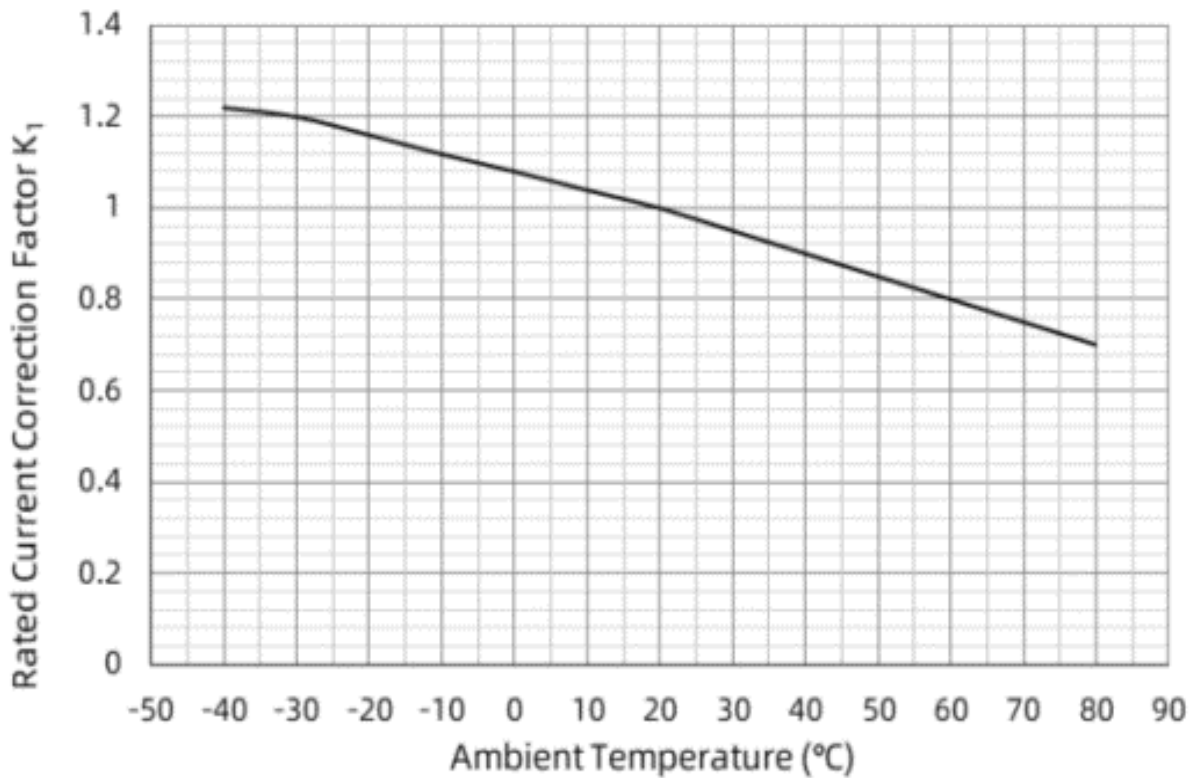
LV Fuse, 350A, Fast Acting, Current Limiting, DIN Bolt Connection



FOCP-HPDC-350-DB

LV Fuse, 350A, Fast Acting, Current Limiting, DIN Bolt Connection

Ambient Temperature Current Derating Curve



Click the following link (or enter part number in "SEARCH" on website) to obtain additional part information including price, inventory and certifications:
[LV Fuse, 350A, Fast Acting, Current Limiting, DIN Bolt Connection FOC-HPDC-350-DB](#)

LV Fuse, 350A, Fast Acting, Current Limiting, DIN Bolt Connection



FOCP-HPDC-350-DB

LV Fuse, 350A, Fast Acting, Current Limiting, DIN Bolt Connection

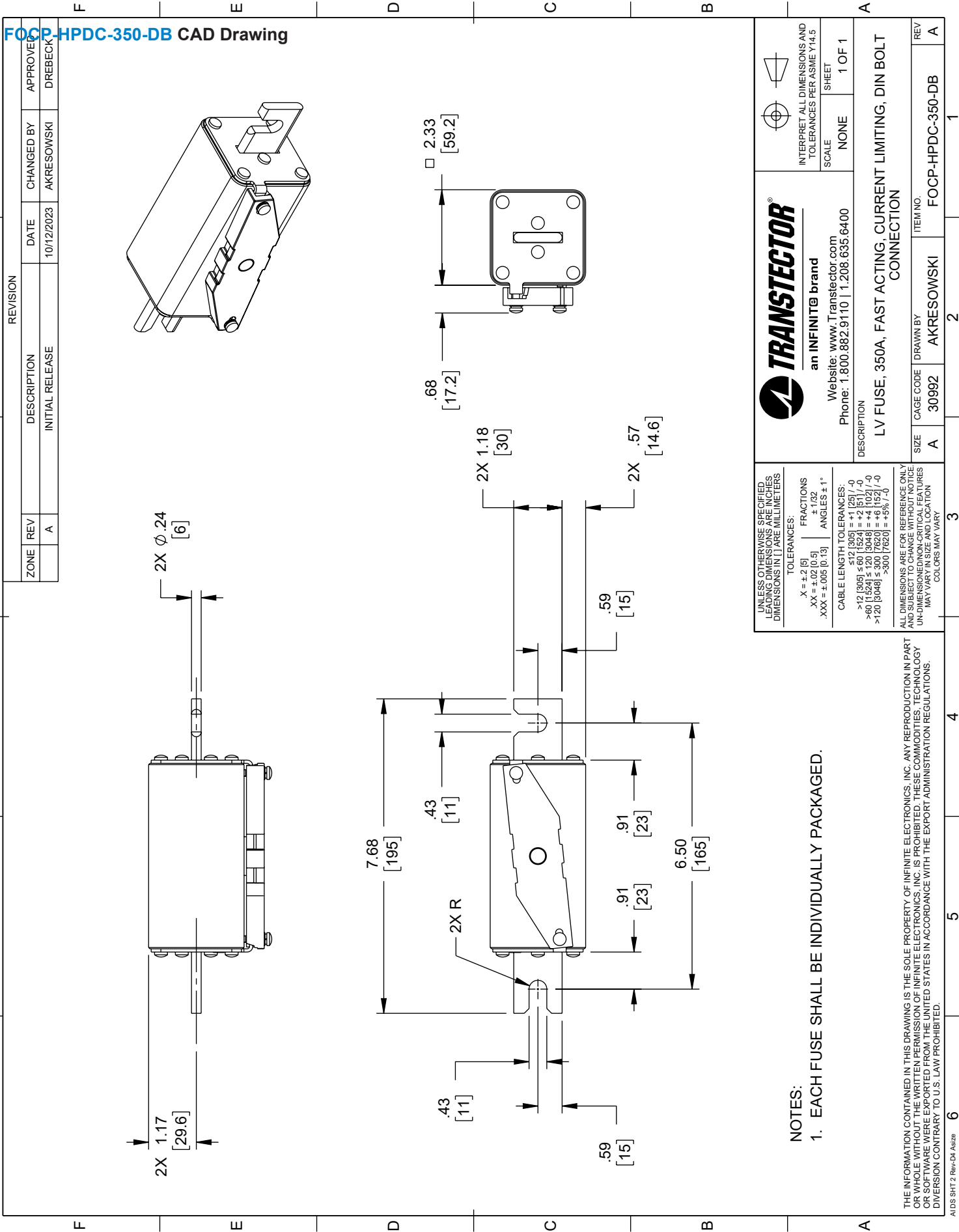
Transtector Systems specializes in protection of highly sensitive, low voltage equipment through its patented, non-degrading silicon diode technology and custom filters. Our power quality expertise translates into a diverse product offering including AC, DC, and signal applications as well as integrated cabinets, power distribution panels and EMP hardened devices.

Click the following link (or enter part number in "SEARCH" on website) to obtain additional part information including price, inventory and certifications: [LV Fuse, 350A, Fast Acting, Current Limiting, DIN Bolt Connection FOCP-HPDC-350-DB](#)

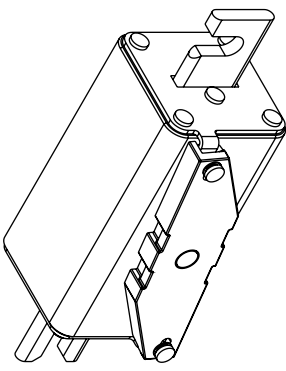
URL: <https://www.transtector.com/focp-hpdc-350-db-p.aspx>

The information contained in this document is accurate to the best of our knowledge and representative of the part described herein. It may be necessary to make modifications to the part and/or the documentation of the part, in order to implement improvements. Transtector reserves the right to make such changes as required. Unless otherwise stated, all specifications are nominal. Transtector does not make any representation or warranty regarding the suitability of the part described herein for any particular purpose, and Transtector does not assume any liability arising out of the use of any part or documentation.

LV Fuse, 350A, Fast Acting, Current Limiting, DIN Bolt Connection



ZONE	REV	DESCRIPTION	DATE	CHANGED BY	APPROVED
	A	INITIAL RELEASE	10/12/2023	AKRESOWSKI	DREBECK



<p>TRANSTECTOR an INFINITE brand Website: www.Transtector.com Phone: 1.800.882.9110 1.208.635.6400</p>	<p>INTERPRET ALL DIMENSIONS AND TOLERANCES PER ASME Y14.5</p> <p>SCALE: NONE</p> <p>SHEET: 1 OF 1</p>
	<p>DESCRIPTION: LV FUSE, 350A, FAST ACTING, CURRENT LIMITING, DIN BOLT CONNECTION</p>
<p>UNLESS OTHERWISE SPECIFIED, LEADING DIMENSIONS ARE IN INCHES DIMENSIONS IN [] ARE MILLIMETERS</p> <p>TOLERANCES: X = ±.2 [5] XX = ±.02 [0.5] XXX = ±.005 [0.13]</p> <p>FRACTIONS: 1/2, 1/4, 3/8, 1/8, 3/16, 1/16</p> <p>ANGLES ±1°</p> <p>CABLE LENGTH TOLERANCES: ≤12 [305] = +1 [25] / -0 >12 [305] ≤60 [1524] = +2 [51] / -0 >60 [1524] ≤120 [3048] = +4 [102] / -0 >120 [3048] ≤300 [7620] = +8 [254] / -0 >300 [7620] = +5% / -0</p> <p>ALL DIMENSIONS ARE FOR REFERENCE ONLY AND SUBJECT TO CHANGE WITHOUT NOTICE UNLESS OTHERWISE INDICATED BY DIMENSIONED CRITICAL FEATURES MAY VARY IN SIZE. DIMENSIONS MAY VARY. COLORS MAY VARY.</p>	<p>REV A</p> <p>ITEM NO. FOCF-HPDC-350-DB</p> <p>DRAWN BY AKRESOWSKI</p> <p>CAGE CODE 30992</p>

NOTES:
1. EACH FUSE SHALL BE INDIVIDUALLY PACKAGED.

THE INFORMATION CONTAINED IN THIS DRAWING IS THE SOLE PROPERTY OF INFINITE ELECTRONICS, INC. ANY REPRODUCTION IN PART OR WHOLE WITHOUT THE WRITTEN PERMISSION OF INFINITE ELECTRONICS, INC. IS PROHIBITED. THESE COMMODITIES, TECHNOLOGY OR SOFTWARE WERE EXPORTED FROM THE UNITED STATES IN ACCORDANCE WITH THE EXPORT ADMINISTRATION REGULATIONS. DIVERSION CONTRARY TO U.S. LAW PROHIBITED.