



I2R-T2DC-1500Y-TT

DC SPD 1500VDC THREE-POLE, DIN-RAIL, UL1449 TYPE 2

Features

- UL 1449 4th Edition Listed, Type 2 SPDs
- High Capacity 50kA MOV Protection
- Local and Remote Visual Status Indicators
- DIN-Rail Mount

Applications

- Communications Base Stations
- Industrial Automation
- Photovoltaic Power Systems
- IT & Data Centers
- Utilities

Description

DC surge protector (also known as SPD or lightning protector) I2R-T2DC-1500Y-TT from Transtector is a DIN-Rail style SPD that utilizes state of the art MOV technology to protect critical equipment that operates on a 1500 Vdc electrical service. This surge protector provides effective protection against electrical transient surges that are generated both by external lightning events and by internal switching events and supports long-term system reliability by safely shunting high amounts of transient energy while maintaining a very low clamping voltage. Transtector DC surge protectors are available in stock with same day shipping.

Electrical Specifications

Description	Minimum	Typical	Maximum	Units
Service Voltages		1,500		Vdc
Maximum Continuous Operating Voltage (MCOV)				
MCOV DC			1,500	Vdc

Surge Protection Specification

Description	Minimum	Typical	Maximum	Units
Surge Protection Technology		MOV		
Surge Protection Modes		LINE-GND, RET-GND, LINE-RET		
Response Time			25	ns
8/20 μ s Surge Current		20	50	kA
VPR 8/20 μ s L-G			4,000	Vpk
Nominal Discharge Surge Current (In)		20		kA
SCCR (Short Circuit Current Rating)		50		kAIC

Click the following link (or enter part number in "SEARCH" on website) to obtain additional part information including price, inventory and certifications:
[I2R-T2DC-1500Y-TT](#)



I2R-T2DC-1500Y-TT

DC SPD 1500VDC THREE-POLE, DIN-RAIL, UL1449 TYPE 2

Mechanical Specifications

Size

Height	3.94 in	[100.08 mm]
Width	2.13 in	[54.1 mm]
Depth	2.56 in	[65.02 mm]
Weight	1.2 lbs	[544.31 g]
Housing Material and Plating	ABS	

Environmental Specifications

Temperature

Operating Range	-20 to +50 deg C
Environmental Protection (IP) Rating	IP20
Humidity	95% non-condensing

Installation

Mount Type	DIN-Rail
Service Wiring Terminal Compression Lug	#10 to #4 AWG
Status Indication Terminal 3-Position Screw Terminal	#22 to #16 AWG

Compliance Certifications

UL Compliant	UL 1449 4th Ed.
--------------	-----------------

Transtector Systems specializes in protection of highly sensitive, low voltage equipment through its patented, non-degrading silicon diode technology and custom filters. Our power quality expertise translates into a diverse product offering including AC, DC, and signal applications as well as integrated cabinets, power distribution panels and EMP hardened devices.

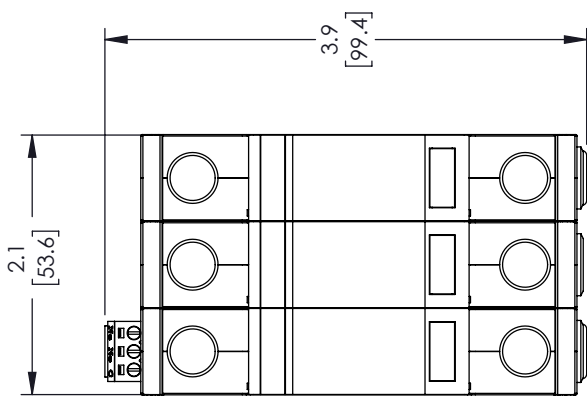
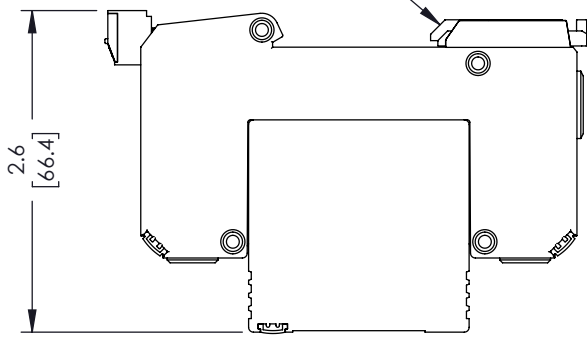
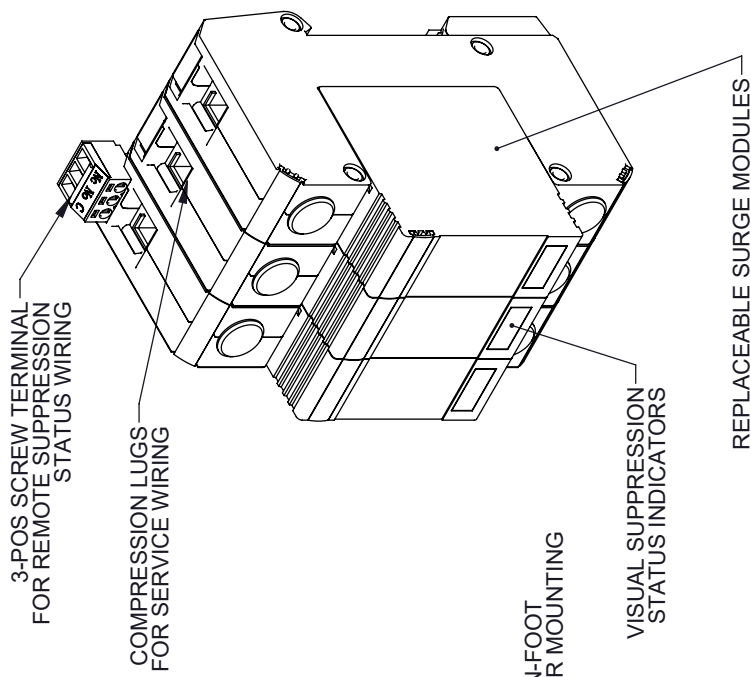
Click the following link (or enter part number in "SEARCH" on website) to obtain additional part information including price, inventory and certifications: [I2R-T2DC-1500Y-TT](https://www.transtector.com/dc-surge-protector-spd-i2r-indoor-din-1102-014-17-p.aspx)

URL: <https://www.transtector.com/dc-surge-protector-spd-i2r-indoor-din-1102-014-17-p.aspx>

The information contained in this document is accurate to the best of our knowledge and representative of the part described herein. It may be necessary to make modifications to the part and/or the documentation of the part, in order to implement improvements. Transtector reserves the right to make such changes as required. Unless otherwise stated, all specifications are nominal. Transtector does not make any representation or warranty regarding the suitability of the part described herein for any particular purpose, and Transtector does not assume any liability arising out of the use of any part or documentation.

I2R-T2DC-1500Y-TT CAD Drawing

REVISIONS			
REV.	DESCRIPTION	DATE	APPROVED
A	INITIAL RELEASE	2/1/22	DREBECK



<p>UNLESS OTHERWISE SPECIFIED LEADING DIMENSIONS ARE INCHES DIMENSIONS IN [] ARE MILLIMETERS</p> <p>TOLERANCES:</p> <p>X ± .2 [5.08] FRACTIONS ± 1/32</p> <p>XX ± .02 [51] ANGLES ± 1°</p> <p>XXX ± .005 [13] </p> <p>CABLE LENGTH (L) TOLERANCES:</p> <p>L ≤ 12 [305] = +1 [25] / -0</p> <p>12 [305] < L ≤ 60 [1524] = +2 [51] / -0</p> <p>60 [1524] < L ≤ 120 [3048] = +4 [102] / -0</p> <p>120 [3048] < L ≤ 300 [7620] = +6 [152] / -0</p> <p>300 [7620] < L = +5%L / -0</p> <p>ALL DIMENSIONS SHOWN ARE FOR REFERENCE ONLY.</p>	<p>THIRD-ANGLE PROJECTION</p> <p>THE INFORMATION AND DESIGN IN THIS DOCUMENT IS THE PROPERTY OF TRANSTECTOR, INC. ALL RIGHTS RESERVED.</p> <p>SHEET 1 OF 1</p> <p>SCALE N/A</p>
	<p>TRANSTECTOR</p> <p>an INFINIT[®] brand</p> <p>10701 Airport Road, Hayden, ID 83835</p> <p>Phone: 1.208.635.6400 1.800.882.9110</p> <p>Fax: 1.208.955.2041</p> <p>Website: www.transsector.com</p> <p>E-mail: sales@transsector.com</p>

THESE COMMODITIES, TECHNOLOGY OR SOFTWARE WERE EXPORTED FROM THE UNITED STATES IN ACCORDANCE WITH THE EXPORT ADMINISTRATION REGULATIONS. DIVERSION CONTRARY TO U.S. LAW PROHIBITED.

T-RevD