

Power Over Ethernet PoE Midspan Injector Category 6 4 Port 802.3af Type B DIN Rail Mount 48 Volts at 48 Watts

PI-4C6-AFB-DN-4848 PoE Injector



Features

- IEEE 802.3af compatibility
- Includes 48VDC @ 48 Watt power supply
- Midspan type PoE injector with Type B wiring
- Rugged die cast aluminum enclosure with DIN rail mount
- 4 port design

Applications

- IP Cameras
- VoIP (Voice over Internet Protocol) Telephones
- Access points, bridges, amplifiers and amplified antennas
- Building and control systems
- Digital signage
- Network switches
- Lighting systems
- Traffic systems
- Smart home and building
- POS systems

Description

Transtector's PI-4C6-AFB-DN-4848 quad-port, DIN rail, Gigabit Category 6 (Cat 6) Midspan/Injector is a commercial grade Power-over-Ethernet device that provides DC or AC power for up to four 10/100/1000 Base-T Power-over-Ethernet, PoE equipped Network Appliance devices. PoE is used to supply power to devices such as Cameras, Access Points, IP Phones, and the like eliminating the need for an outlet near the devices and extra power cables. The unit uses Gigabit transformers on all four data pairs in contrast to cheaper designs that only use transformers for two pairs. It is compatible with devices that support the IEEE 802.3af standard PoE power feed using Mode B (Pins 4/5 and 7/8). This along with a metal housing helps reduce the effects of EMI interference. A ground lug and terminal is provided directly on the cast aluminum injector housing providing superior grounding. The injector can be mounted to a DIN 3 rail using the DIN mounting clip located on the rear of the device. This kit includes the protector/injector and a 48VDC @ 48W power supply (PIPS-48V48W-R25MMDC). Transtector also sells Ethernet surge protection devices and Ethernet cables capable of connecting PoE devices. Check out Transtector's website and buy online today.

Electrical Specifications

Description	Minimum	Typical	Maximum	Units
Ethernet Connectors		RJ45 Jack		
PoE Version		802.3af		
Ethernet Standard		Category 6, 10/100/1000Base-T		
Max Current			1	A
Voltage Rating DC (Input)			48	VDC
Voltage Rating DC (Output)			48	VDC
Operating Voltage DC			60	VDC
Operating Voltage AC			60	VAC
Power Connector		2.5mm DC Jack		

Click the following link (or enter part number in "SEARCH" on website) to obtain additional part information including price, inventory and certifications:
[Power Over Ethernet PoE Midspan Injector Category 6 4 Port 802.3af Type B DIN Rail Mount 48 Volts at 48 Watts](#)

Power Over Ethernet PoE Midspan Injector Category 6 4 Port
802.3af Type B DIN Rail Mount 48 Volts at 48 Watts

PI-4C6-AFB-DN-4848
PoE Injector



Wire Type Type B

Mechanical Specifications

Size		
Height	1.5 in	[38.1 mm]
Width	2.5 in	[63.5 mm]
Length	4.5 in	[114.3 mm]
Weight	1.34 lbs	[607.81 g]
Housing Material	Aluminum	
Grounding Lug	Yes	
Mounting Type	DIN Rail	

Environmental Specifications

Operating Temperature, Injector	-40 to +70 deg C
Environment Type	Indoor

Transtector Systems specializes in protection of highly sensitive, low voltage equipment through its patented, non-degrading silicon diode technology and custom filters. Our power quality expertise translates into a diverse product offering including AC, DC, and signal applications as well as integrated cabinets, power distribution panels and EMP hardened devices.

Click the following link (or enter part number in "SEARCH" on website) to obtain additional part information including price, inventory and certifications: [Power Over Ethernet PoE Midspan Injector Category 6 4 Port 802.3af Type B DIN Rail Mount 48 Volts at 48 Watts](#)

URL: <https://www.transtector.com/poe-injector-category-6-4-port-rj45-jack-pi-4c6-afb-dn-4848-p.aspx>

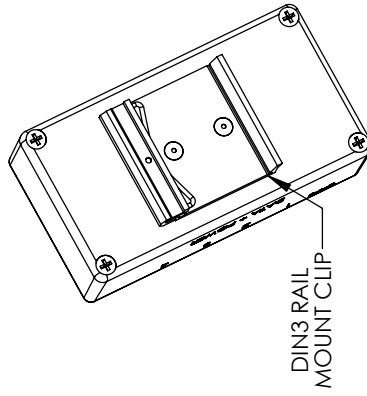
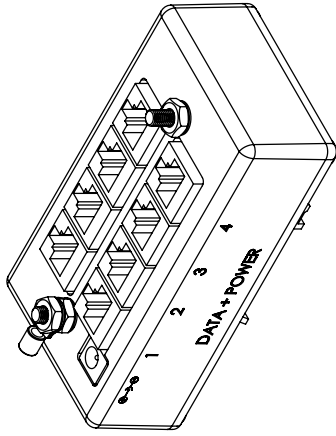
The information contained in this document is accurate to the best of our knowledge and representative of the part described herein. It may be necessary to make modifications to the part and/or the documentation of the part, in order to implement improvements. Transtector reserves the right to make such changes as required. Unless otherwise stated, all specifications are nominal. Transtector does not make any representation or warranty regarding the suitability of the part described herein for any particular purpose, and Transtector does not assume any liability arising out of the use of any part or documentation.

Power Over Ethernet PoE Midspan Injector Category 6, 4 Port

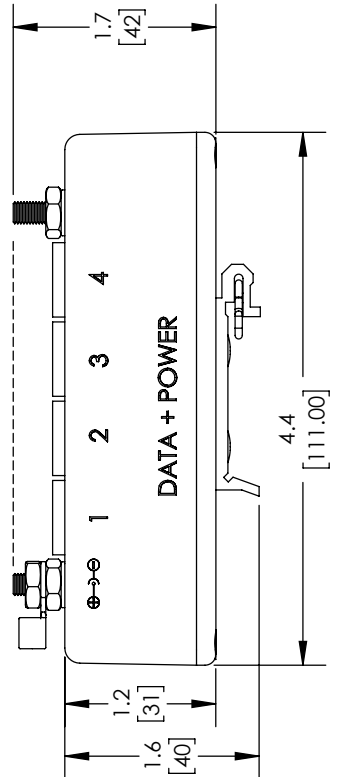
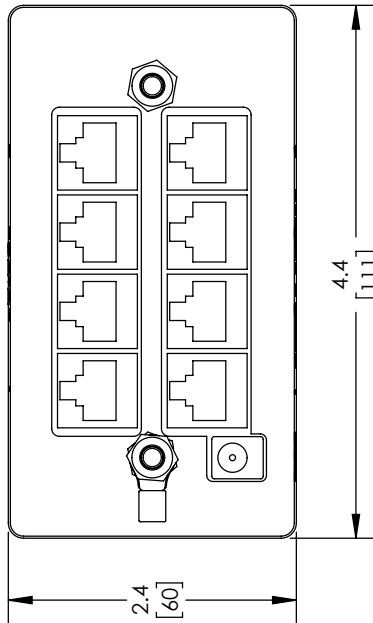
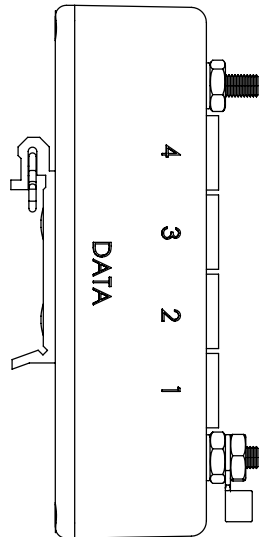
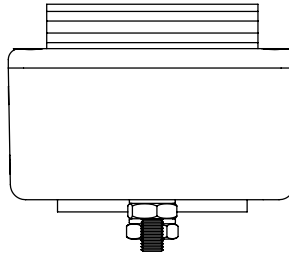
802.3af Type B DIN Rail Mount 48 Volts at 48 Watts

CAD Drawing

REV	DESCRIPTION	DATE	APPROVED
A	CN INITIAL RELEASE	03/13/20	DGUITADAURO



DIN3 RAIL
MOUNT CLIP



NOTES:

1. COMPONENT ASSEMBLY SHALL BE INDIVIDUALLY PACKAGED
2. ALL DIMENSIONS FOR REFERENCE ONLY

APPROVALS	DATE	APPROVED
DRAWN BY D.CUI	03/12/20	
CHECKED BY SPAN	03/12/20	
APPROVED BY DGUITADAURO	03/12/20	

UNLESS OTHERWISE SPECIFIED, DIMENSIONS ARE IN INCHES [MM].	
OVERALL CABLE LENGTH TOLERANCE:	
<12 [305] ≤60 [1524] = +1 [25] / -0	
>12 [305] ≤60 [1524] = +2 [51] / -0	
>60 [1524] ≤120 [3048] = +4 [102] / -0	
>120 [3048] ≤300 [7620] = +6 [152] / -0	
>300 [7620] = +5% / -0	
ALL OTHER DIMENSIONAL TOLERANCES:	
.X = ± .2 [5]	FRACTIONS
.XX = ± .02 [5]	± 1/32
.XXX = ± .005 [1.3]	ANGLES ± 1°
THIRD-ANGLE PROJECTION	

TRANSISTECTOR	10701 Airport Road, Hoyden, ID 83835 Phone: 1.208.635.6400 Fax: 1.208.955.2041
an INFINITO brand	
CATEGORY	POWER OVER ETHERNET
PRODUCT DESCRIPTION	POE INJECTOR CAT6 4PORT 802.3AF B 48V 48W DIN
SIZE	A
CAGE CODE	30992
ITEM NO.	PI-4C6-AFB-DN-4848
SCALE	NONE
CAD FILE	PI-4C6-AFB-DN-4848.SLDDRW
SHEET	1 OF 1

THE INFORMATION CONTAINED IN THIS DRAWING IS THE SOLE PROPERTY OF TRANSISTECTOR, INC. ANY REPRODUCTION IN PART OR WHOLE WITHOUT THE WRITTEN PERMISSION OF TRANSISTECTOR, INC. IS PROHIBITED.