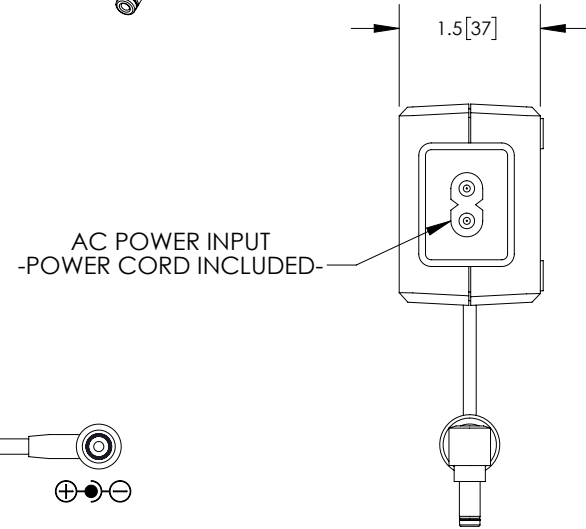
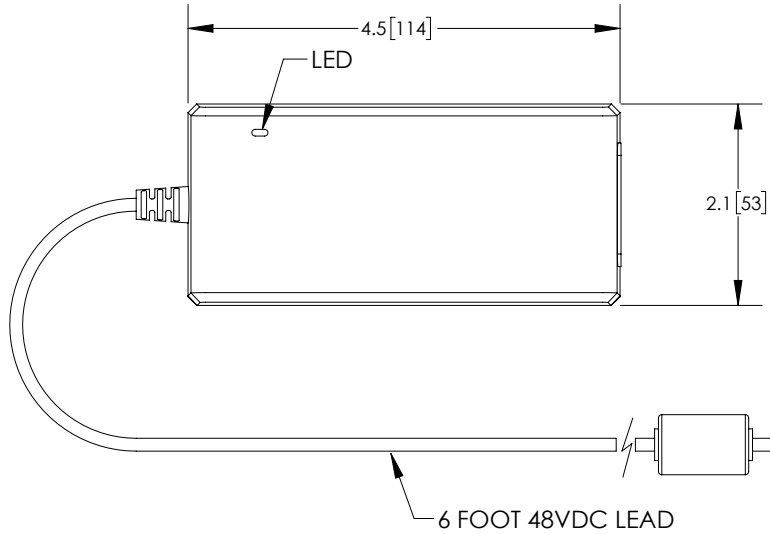
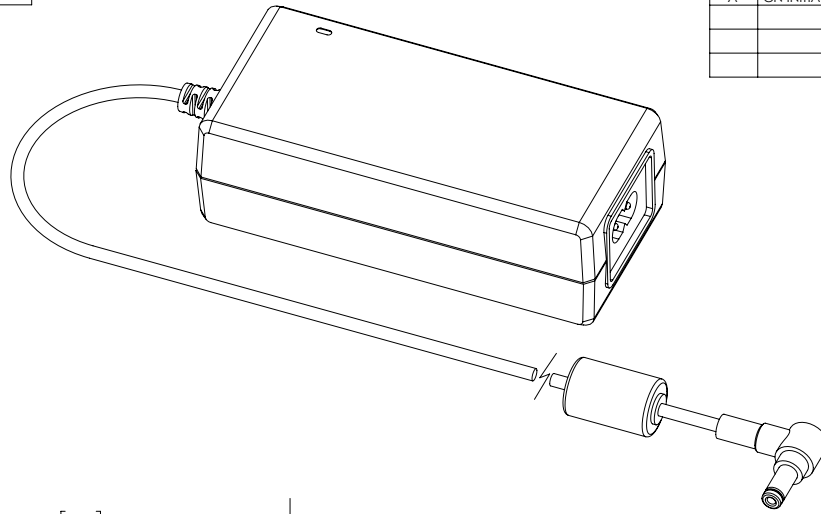


THE INFORMATION CONTAINED IN THIS DRAWING IS THE SOLE PROPERTY OF TRANSTECTOR, INC.. ANY REPRODUCTION IN PART OR WHOLE WITHOUT THE WRITTEN PERMISSION OF TRANSTECTOR, INC. IS PROHIBITED.

REVISIONS			
REV	DESCRIPTION	DATE	APPROVED
A	CN INITIAL RELEASE	03/13/20	DGUTTADAUR


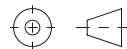


NOTES:

SPECIFICATIONS:  
 SWITCHING POWER SUPPLY  
 48VDC @ 48W, 1A  
 110/220VAC  
 2.5MM RT ANGLE DC PLUG  
 CENTER POSITIVE W/ 6 FOOT LEAD

MISCELLANEOUS:

- 1.COMONENT ASSEMBLY SHALL BE INDIVIDUALLY PACKAGED
- 2.ALL DIMENSIONS FOR REFERENCE ONLY

UNLESS OTHERWISE SPECIFIED, DIMENSIONS ARE IN INCHES [mm] OVERALL CABLE LENGTH TOLERANCE: ≤12 [305] = +1 [25] / -0 >12 [305] ≤60 [1524] = +2 [51] / -0 >60 [1524] ≤120 [3048] = +4 [102] / -0 >120 [3048] ≤300 [7620] = +6 [152] / -0 >300 [7620] = +5% / -0 ALL OTHER DIMENSIONAL TOLERANCES: .X = ± .2 [5]   FRACTIONS ± 1/32 .XX = ± .02 [.5]   ANGLES ± 1° .XXX = ± .005 [.13]	APPROVALS	DATE	 an INFINITO brand	10701 Airport Road, Hayden, ID 83835 Phone: 1.208.635.6400 Fax: 1.208.955.2041		
	DRAWN BY D.CUI CHECKED BY S.PAN APPROVED BY DGUTTADAUR	03/09/20 03/09/20 03/09/20			CATEGORY POWER SUPPLY	
THIRD-ANGLE PROJECTION 	CONFIGURATION DETAILS OF UNDIMENSIONED FEATURES MAY VARY	PRODUCT DESCRIPTION POE INJECTOR POWER SUPPLY 48VDC@48W	SIZE <b>A</b>	CAGE CODE <b>30992</b>	ITEM NO. PIPS-48V48W-R25MMDC	REV. <b>A</b>
COLOR VARIATIONS MAY OCCUR			SCALE: NONE	CAD FILE: PIPS-48V48W-R25MMDC.SLDDRW	SHEET 1 OF 1	