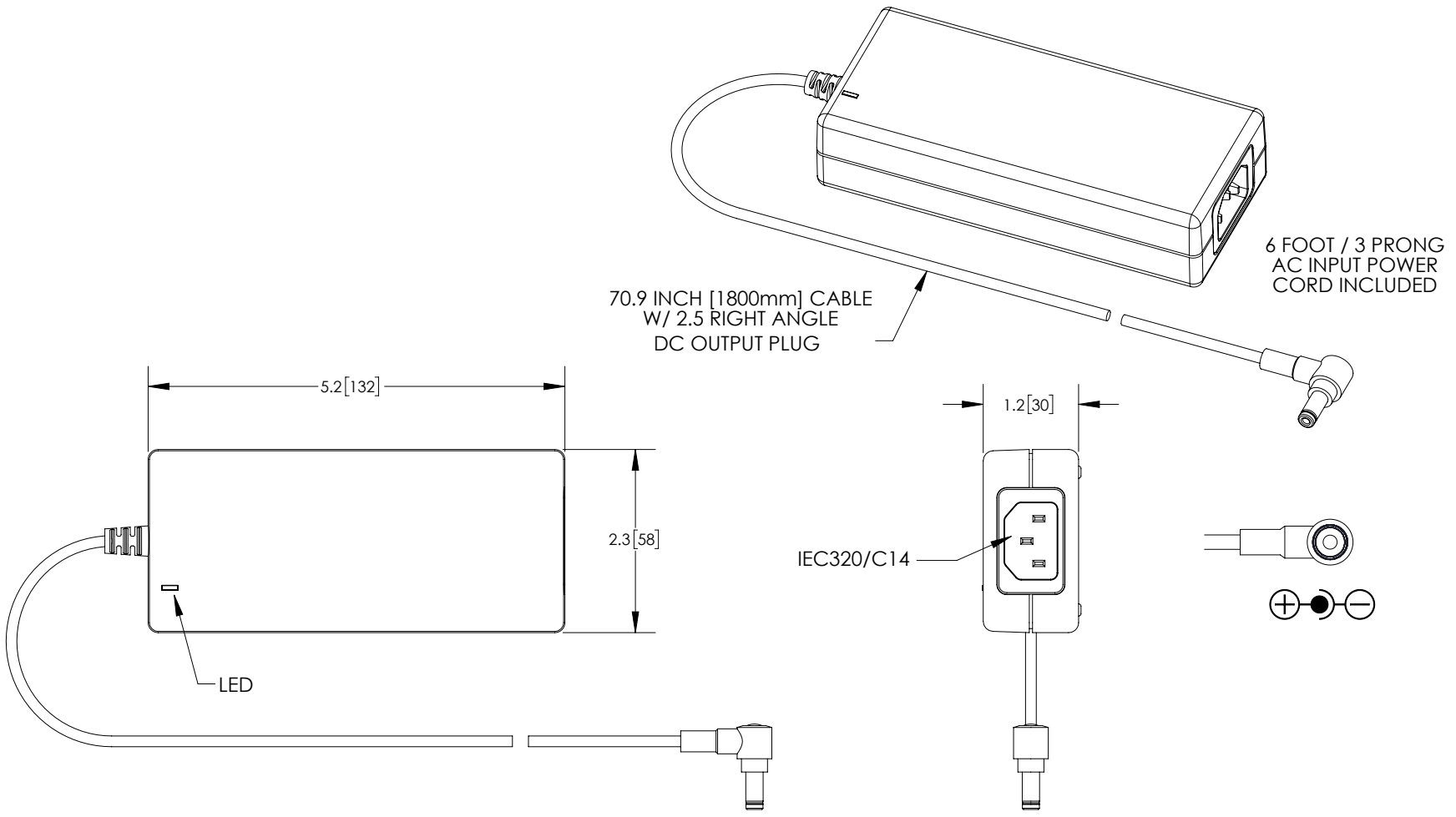

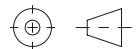


THE INFORMATION CONTAINED IN THIS DRAWING IS THE SOLE PROPERTY OF TRANSTECTOR, INC.. ANY REPRODUCTION IN PART OR WHOLE WITHOUT THE WRITTEN PERMISSION OF TRANSTECTOR, INC. IS PROHIBITED.

REVISIONS			
REV	DESCRIPTION	DATE	APPROVED
A	CN INITIAL RELEASE	03/13/20	DGUTTADAUR



NOTE:  
 1.COMPONENT ASSEMBLY SHALL BE INDIVIDUALLY PACKAGED  
 2.ALL DIMENSIONS FOR REFERENCE ONLY

UNLESS OTHERWISE SPECIFIED, DIMENSIONS ARE IN INCHES [mm] OVERALL CABLE LENGTH TOLERANCE: ≤12 [305] = +1 [25] / -0 >12 [305] ≤60 [1524] = +2 [51] / -0 >60 [1524] ≤120 [3048] = +4 [102] / -0 >120 [3048] ≤300 [7620] = +6 [152] / -0 >300 [7620] = +5% / -0 ALL OTHER DIMENSIONAL TOLERANCES: .X = ± .2 [5]      FRACTIONS ± 1/32 .XX = ± .02 [.5]      ANGLES ± 1° .XXX = ± .005 [.13]	APPROVALS	DATE	 an INFINITO brand 10701 Airport Road, Hayden, ID 83835 Phone: 1.208.635.6400 Fax: 1.208.955.2041
	DRAWN BY D.CUI CHECKED BY S.PAN APPROVED BY DGUTTADAUR	03/09/20 03/09/20 03/09/20	
THIRD-ANGLE PROJECTION 	CONFIGURATION DETAILS OF UNDIMENSIONED FEATURES MAY VARY	PRODUCT DESCRIPTION <b>POE INJECTOR POWER SUPPLY          48VDC@70W</b>	SIZE <b>A</b>
COLOR VARIATIONS MAY OCCUR	CAGE CODE <b>30992</b>	ITEM NO. <b>PIPS-48V70W-R25MMDC</b>	REV. <b>A</b>
SCALE: NONE		CAD FILE: PIPS-48V70W-R25MMDC.SLDDRW	SHEET 1 OF 1