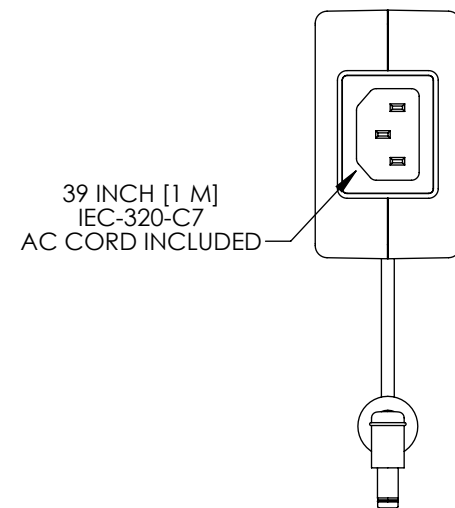
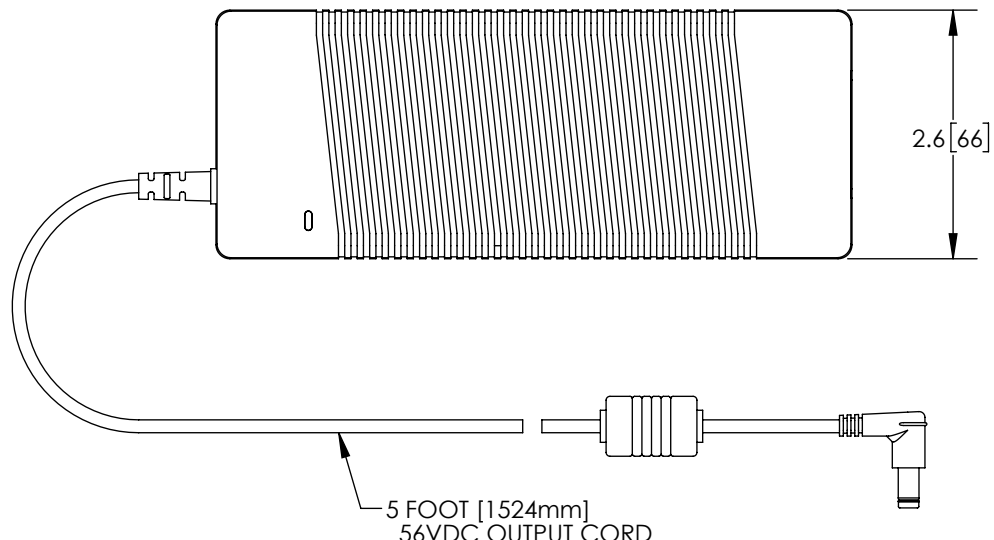
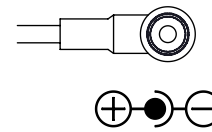
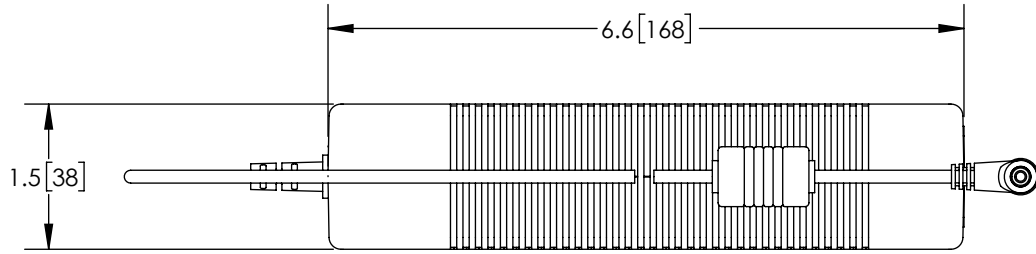



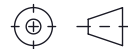
THE INFORMATION CONTAINED IN THIS DRAWING IS THE SOLE PROPERTY OF TRANSTECTOR, INC.. ANY REPRODUCTION IN PART OR WHOLE WITHOUT THE WRITTEN PERMISSION OF TRANSTECTOR, INC. IS PROHIBITED.

REVISIONS			
REV	DESCRIPTION	DATE	APPROVED
A	CN INITIAL RELEASE	03/13/20	DGUTTADAUR



NOTES:
 SPECIFICATIONS:
 SWITCHING POWER SUPPLY
 56VDC @ 117.6W, 2.1A
 110/220VAC
 2.5mm RT ANGLE DC PLUG
 CENTER POSITIVE W/ 5 FOOT LEAD

MISCELLANEOUS:
 COMPONENT ASSEMBLY SHALL BE INDIVIDUALLY PACKAGED
 ALL DIMENSIONS FOR REFERENCE ONLY

UNLESS OTHERWISE SPECIFIED, DIMENSIONS ARE IN INCHES [mm] OVERALL CABLE LENGTH TOLERANCE: ≤12 [305] = +1 [25] / -0 >12 [305] ≤60 [1524] = +2 [51] / -0 >60 [1524] ≤120 [3048] = +4 [102] / -0 >120 [3048] ≤300 [7620] = +6 [152] / -0 >300 [7620] = +5% / -0 ALL OTHER DIMENSIONAL TOLERANCES: .X = ± .2 [5] FRACTIONS ± 1/32 .XX = ± .02 [5] ANGLES ± 1° .XXX = ± .005 [1.3]	APPROVALS	DATE	 an INFINITO brand 10701 Airport Road, Hayden, ID 83835 Phone: 1.208.635.6400 Fax: 1.208.955.2041
	DRAWN BY D.CUI	03/09/20	
THIRD-ANGLE PROJECTION 	CHECKED BY S.PAN	03/09/20	PRODUCT DESCRIPTION POE INJECTOR POWER SUPPLY 56VDC@118W
	APPROVED BY DGUTTADAUR	03/09/20	
	CONFIGURATION DETAILS OF UNDIMENSIONED FEATURES MAY VARY	COLOR VARIATIONS MAY OCCUR	SCALE: NONE CAD FILE: PIPS-56V118W-R25MMDC.SLDDRW SHEET 1 OF 1