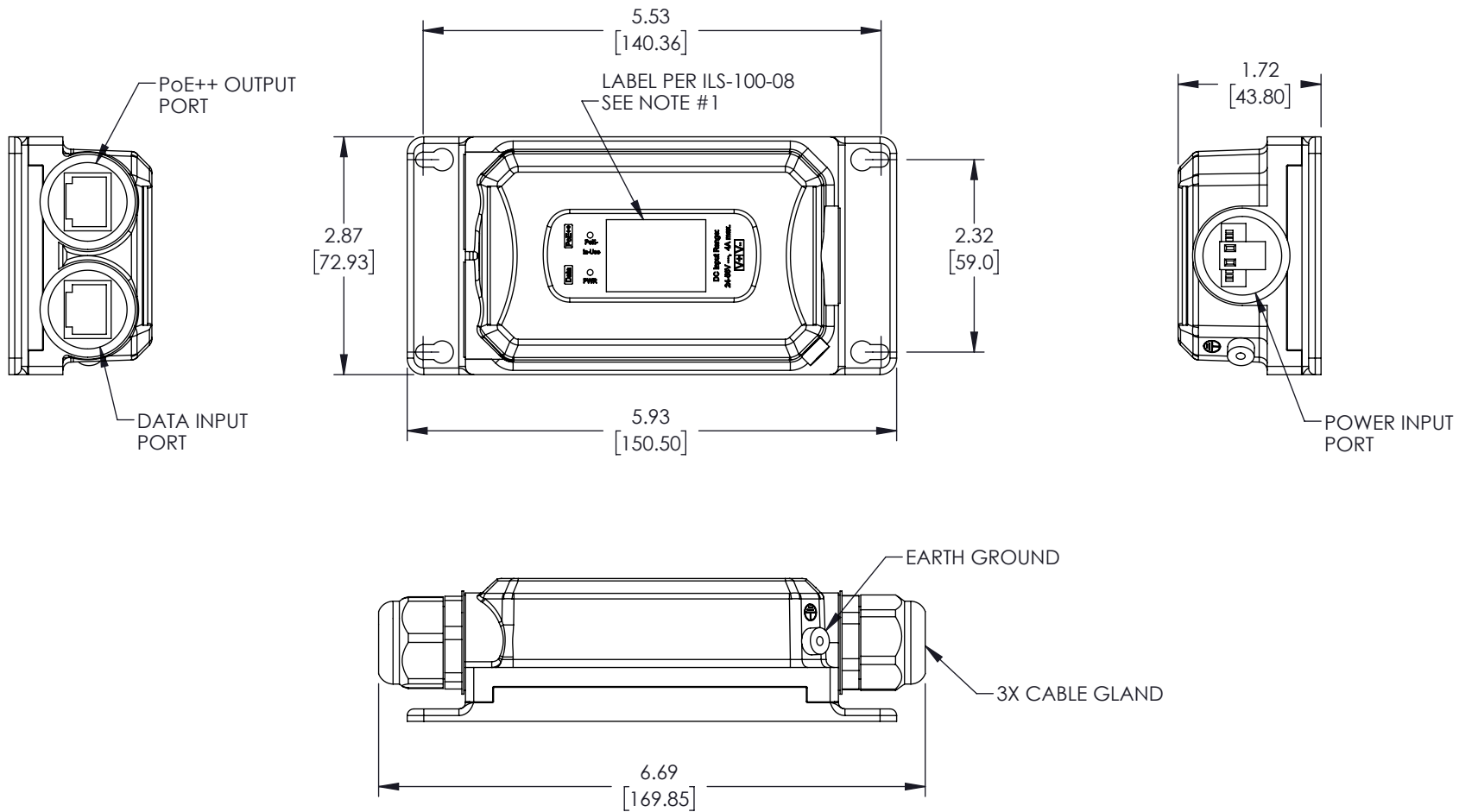


REVISIONS			
REV.	DESCRIPTION	DATE	APPROVED
A	INITIAL RELEASE	10/11/2022	DGUST



NOTE:  
 1. SEE LABEL SPECIFICATION ILS-100 (FOR INTERNAL REFERENCE ONLY)  
 LABEL LOCATION APPROXIMATELY AS SHOWN

THESE COMMODITIES, TECHNOLOGY OR SOFTWARE WERE EXPORTED FROM THE UNITED STATES IN ACCORDANCE WITH THE EXPORT ADMINISTRATION REGULATIONS. DIVERSION CONTRARY TO U.S. LAW PROHIBITED.

UNLESS OTHERWISE SPECIFIED  
 LEADING DIMENSIONS ARE INCHES  
 DIMENSIONS IN [ ] ARE MILLIMETERS

TOLERANCES:  
 .X = ± .2 [ .508 ]      FRACTIONS ± 1/32  
 .XX = ± .02 [ .51 ]      ± 1/32  
 .XXX = ± .005 [ .13 ]      ANGLES ± 1°

CABLE LENGTH (L) TOLERANCES:  
 L ≤ 12 [ 305 ] = +1 [ 25 ] / -0  
 12 [ 305 ] < L ≤ 60 [ 1524 ] = +2 [ 51 ] / -0  
 60 [ 1524 ] < L ≤ 120 [ 3048 ] = +4 [ 102 ] / -0  
 120 [ 3048 ] < L ≤ 300 [ 7620 ] = +6 [ 152 ] / -0  
 300 [ 7620 ] < L = +5%L / -0

ALL DIMENSIONS SHOWN  
 ARE FOR REFERENCE ONLY.



**an INFINIT® brand**  
 10701 Airport Road, Hayden, ID 83835  
 Phone: 1.208.635.6400 | 1.800.882.9110  
 Fax: 1.208.955.2041  
 Website: www.transtector.com  
 E-mail: sales@transtector.com

THIRD-ANGLE PROJECTION

THE INFORMATION AND DESIGN IN THIS DOCUMENT IS THE PROPERTY OF TRANSTECTOR, INC. ALL RIGHTS RESERVED.

SHEET 1 OF 1  
 SCALE N/A

SIZE	CAGE CODE	DRAWN BY	ITEM NO.	REV
A	30992	DMAY	POEOD1GBT-TT	A