

AC Surge Protector SPD SP PLUS Brick 120/208 Vac Three-Phase Wye MOV 50 kA, TAA



SP50RS-1203Y SP50RS Series

Features

- UL1449 4th Ed. Type 1/Type 2
- High Capacity MOV Protection
- Suppression Status LEDs
- Remote Suppression Status Contacts
- Wall Mount, Conduit Hub or Bracket Mount
- No External Backup Fuses Required

Applications

- Electrical Panelboards
- Industrial Automation
- Communications Base Stations
- IT & Data Centers
- Switchgear
- Motor Control Centers
- Automatic Transfer Switches
- Wastewater Treatment
- Oil & Gas
- LED Lighting
- Schools
- Hospitals

Description

AC surge protector (also known as SPD or lightning protector) SP50RS-1203Y from Transtector is a UL1449 4th Ed. Type 1/Type 2 brick style SPD that utilizes state of the art MOV technology to protect critical equipment that operates on a 120/208 Vac 3-Phase Wye electrical service. This surge protector provides effective protection against electrical transient surges that are generated both by external lightning events and by internal switching events and supports long-term system reliability by safely shunting high amounts of transient energy while maintaining a very low clamping voltage. Transtector AC surge protectors are available in stock with same day shipping.

Electrical Specifications

Description	Minimum	Typical	Maximum	Units
Service Voltages		120/208		Vac
Service Type		Three-Phase Wye		
Frequency	50		60	Hz
Maximum Continuous Operating Voltage (MCOV)				
L - L			300	Vac
L - N			150	Vac
L - G			300	Vac
Remote Status Indicators		Form C Contacts		

Surge Protection Specification

Description	Minimum	Typical	Maximum	Units
-------------	---------	---------	---------	-------

Click the following link (or enter part number in "SEARCH" on website) to obtain additional part information including price, inventory and certifications:
[AC Surge Protector SPD SP PLUS Brick 120/208 Vac Three-Phase Wye MOV 50 kA, TAA SP50RS-1203Y](#)

AC Surge Protector SPD SP PLUS Brick 120/208 Vac
 Three-Phase Wye MOV 50 kA, TAA



SP50RS-1203Y
 SP50RS Series

Surge Protection Technology	MOV		
Protection Modes	L-N, L-L, L-G		
8/20 μ s Surge Current		50	kA
Nominal Discharge Current Rating (In)	20		kA
VPR 8/20 μ s			
L - L		1,200	Vpk
L - N		700	Vpk
L - G		1,200	Vpk
Response Time		25	ns
SCCR (Short Circuit Current Rating)	200		kAIC

Mechanical Specifications

Size

Height	3.35 in	[85.09 mm]
Width	3.35 in	[85.09 mm]
Depth	3.25 in	[82.55 mm]
Weight	1 lbs	[453.59 g]
Housing Material and Plating	Polycarbonate	

Environmental Specifications

Temperature Range (Operational)	-40 to +85 deg C
Environmental Protection Rating	NEMA 4X
Humidity	95% non-condensing

Installation

Mount Type	3/4"-14 Hub or Bracket Mount
Service Wiring Terminal	Wire Leads 3 foot long to #10 AWG
Status Indication Terminal	Wire Leads 3 foot long to #18 AWG

Compliance Certifications

UL Compliant	Yes
TAA Compliant	Yes
Certifications	UL 1449 4th Ed. Type 1 and Type 2 UL 96A cUL NOM

Click the following link (or enter part number in "SEARCH" on website) to obtain additional part information including price, inventory and certifications:
[AC Surge Protector SPD SP PLUS Brick 120/208 Vac Three-Phase Wye MOV 50 kA, TAA SP50RS-1203Y](#)

AC Surge Protector SPD SP PLUS Brick 120/208 Vac
Three-Phase Wye MOV 50 kA, TAA

SP50RS-1203Y
SP50RS Series



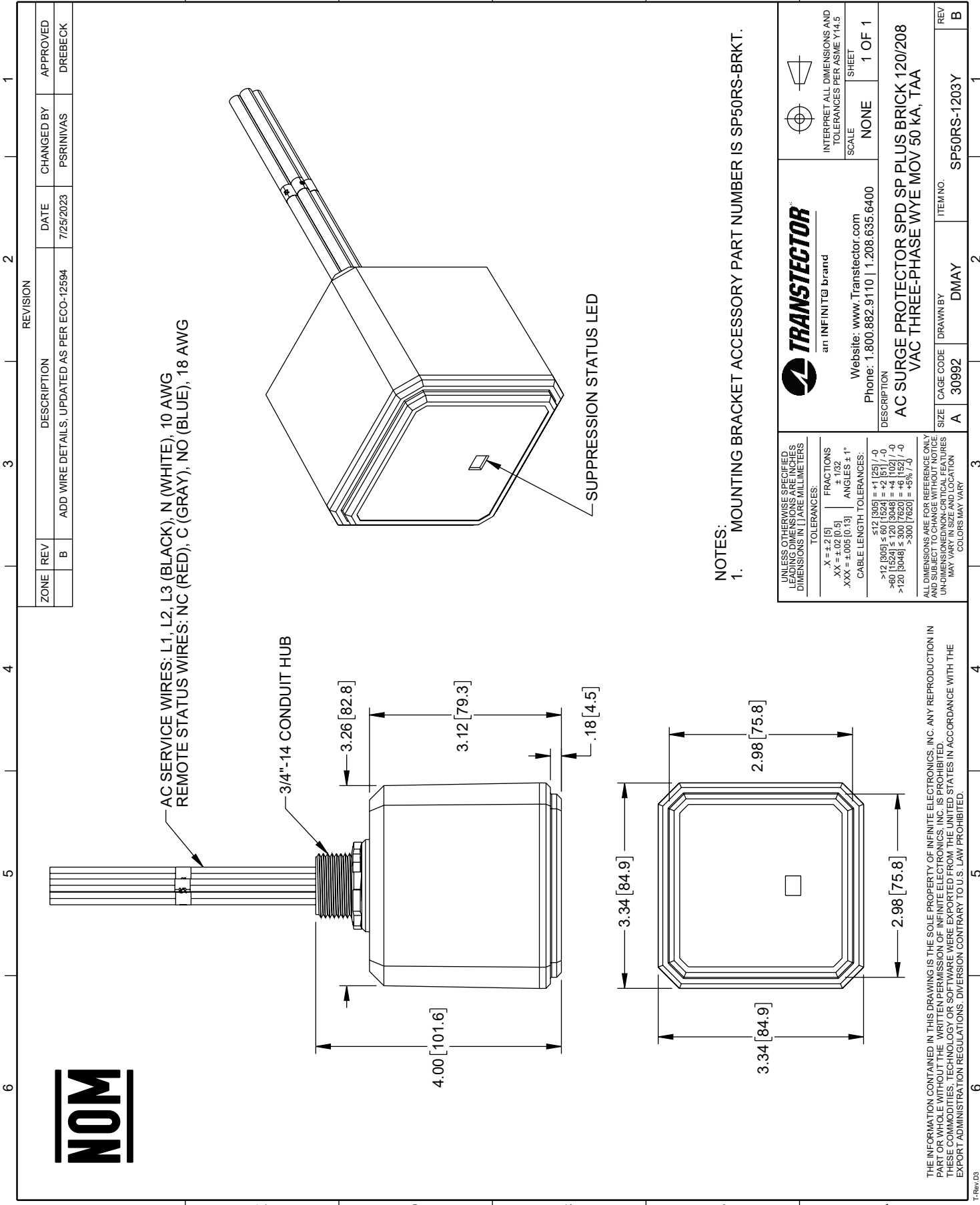
Transtector Systems specializes in protection of highly sensitive, low voltage equipment through its patented, non-degrading silicon diode technology and custom filters. Our power quality expertise translates into a diverse product offering including AC, DC, and signal applications as well as integrated cabinets, power distribution panels and EMP hardened devices.

Click the following link (or enter part number in “SEARCH” on website) to obtain additional part information including price, inventory and certifications: [AC Surge Protector SPD SP PLUS Brick 120/208 Vac Three-Phase Wye MOV 50 kA, TAA SP50RS-1203Y](#)

URL: <https://www.transtector.com/ac-surge-protector-spd-sp-plus-brick-sp50rs-1203y-p.aspx>

The information contained in this document is accurate to the best of our knowledge and representative of the part described herein. It may be necessary to make modifications to the part and/or the documentation of the part, in order to implement improvements. Transtector reserves the right to make such changes as required. Unless otherwise stated, all specifications are nominal. Transtector does not make any representation or warranty regarding the suitability of the part described herein for any particular purpose, and Transtector does not assume any liability arising out of the use of any part or documentation.

SP50RS-1203Y CAD Drawing



ZONE	REV	DESCRIPTION	DATE	CHANGED BY	APPROVED
	B	ADD WIRE DETAILS, UPDATED AS PER ECO-12594	7/25/2023	PSRINIVAS	DREBECK

AC SERVICE WIRES: L1, L2, L3 (BLACK), N (WHITE), 10 AWG
 REMOTE STATUS WIRES: NC (RED), C (GRAY), NO (BLUE), 18 AWG

SUPPRESSION STATUS LED

3/4"-14 CONDUIT HUB

NOTES:
 1. MOUNTING BRACKET ACCESSORY PART NUMBER IS SP50RS-BRKT.

<p>TRANSTECTOR an INFINITIB brand</p> <p>Website: www.Transector.com Phone: 1.800.882.9110 1.208.635.6400</p>	<p>INTERPRET ALL DIMENSIONS AND TOLERANCES PER ASME Y14.5</p> <p>SCALE: NONE</p> <p>SHEET: 1 OF 1</p>
	<p>DESCRIPTION: AC SURGE PROTECTOR SPD SP PLUS BRICK 120/208 VAC THREE-PHASE WYE MOV 50 kA, TAA</p>
<p>UNLESS OTHERWISE SPECIFIED, LEADING DIMENSIONS ARE INCHES AND DIMENSIONS IN [] ARE MILLIMETERS.</p> <p>TOLERANCES: X = ± 0.5 [12.7] XX = ± 0.02 [0.51] XXX = ± 0.005 [0.127]</p> <p>FRACTIONS: ± 1/32 ANGLES: ± 1°</p> <p>CABLE LENGTH TOLERANCES: ≤ 12 [305] = ± 1 [25.4] > 12 [305] ≤ 60 [1524] = ± 2 [51] > 60 [1524] ≤ 120 [3048] = ± 4 [102] > 120 [3048] ≤ 300 [7620] = ± 6 [152] > 300 [7620] = ± 8 [203]</p>	<p>SIZE: A 30992</p> <p>CAGE CODE: DMAY</p> <p>ITEM NO.: SP50RS-1203Y</p>
<p>ALL DIMENSIONS ARE FOR REFERENCE ONLY AND SUBJECT TO CHANGE WITHOUT NOTICE. UNDIMENSIONED NON-CRITICAL FEATURES MAY VARY IN SIZE AND LOCATION. COLORS MAY VARY.</p>	<p>REV: B</p>

THE INFORMATION CONTAINED IN THIS DRAWING IS THE SOLE PROPERTY OF INFINITE ELECTRONICS, INC. ANY REPRODUCTION IN PART OR WHOLE WITHOUT THE WRITTEN PERMISSION OF INFINITE ELECTRONICS, INC. IS PROHIBITED. THESE COMMODITIES, TECHNOLOGY OR SOFTWARE WERE EXPORTED FROM THE UNITED STATES IN ACCORDANCE WITH THE EXPORT ADMINISTRATION REGULATIONS. DIVERSION CONTRARY TO U.S. LAW PROHIBITED.