

SP50RS Series Mounting Bracket



SP50RS-BRKT SP50RS Series Mounting Bracket

Features

- 100% SASD Protection
- 8 Protected Outlets
- Suppression Status LEDs
- Rack Mount (with Adapter Bracket)

Applications

- Power Distribution
- Industrial Automation
- Telecommunications Base Stations
- First Responder Sites
- Emergency Management Systems
- Load Expansion

Description

SP50RS Mounting Bracket

Mechanical Specifications

Weight	0.4 lbs	[181.44 g]
Enclosure Material and Plating	Steel, Powder Coated Black	

Monitoring and Control

Alarm Relays	0
--------------	---

Compliance Certifications

Other Compliance	NOM
------------------	-----

Transtector Systems specializes in protection of highly sensitive, low voltage equipment through its patented, non-degrading silicon diode technology and custom filters. Our power quality expertise translates into a diverse product offering including AC, DC, and signal applications as well as integrated cabinets, power distribution panels and EMP hardened devices.

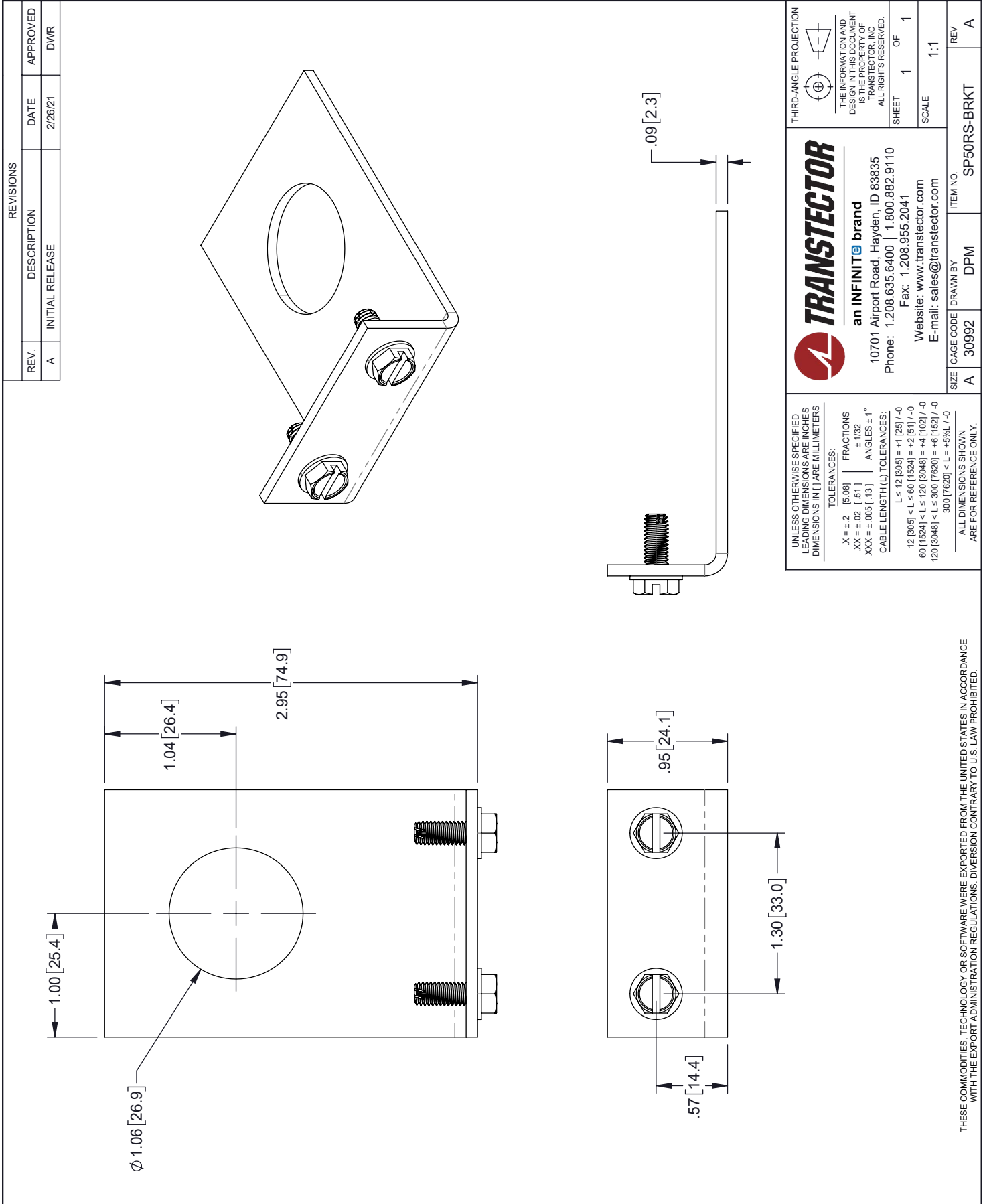
Click the following link (or enter part number in “SEARCH” on website) to obtain additional part information including price, inventory and certifications: [SP50RS Series Mounting Bracket SP50RS-BRKT](#)

URL: <https://www.transtector.com/SP50RS-BRKT-p.aspx>

The information contained in this document is accurate to the best of our knowledge and representative of the part described herein. It may be necessary to make modifications to the part and/or the documentation of the part, in order to implement improvements. Transtector reserves the right to make such changes as required. Unless otherwise stated, all specifications are nominal. Transtector does not make any representation or warranty regarding the suitability of the part described herein for any particular purpose, and Transtector does not assume any liability arising out of the use of any part or documentation.

SP50RS Series Mounting Bracket

SP50RS-BRKT CAD Drawing



TRANSTECTOR
 an INFINIT[®] brand
 10701 Airport Road, Hayden, ID 83835
 Phone: 1.208.635.6400 | 1.800.882.9110
 Fax: 1.208.955.2041
 Website: www.transvector.com
 E-mail: sales@transvector.com

UNLESS OTHERWISE SPECIFIED
 LEADING DIMENSIONS ARE IN INCHES
 DIMENSIONS IN [] ARE MILLIMETERS
 TOLERANCES:
 X = ±.2 [5.08] | FRACTIONS ± 1/32
 .XX = ±.02 [.51] | ANGLES ± 1°
 .XXX = ±.005 [.13] |
 CABLE LENGTH (L) TOLERANCES:
 L ≤ 12 [305] = +1 [25] / -0
 12 [305] < L ≤ 60 [1524] = +2 [51] / -0
 60 [1524] < L ≤ 120 [3048] = +4 [102] / -0
 120 [3048] < L ≤ 300 [7620] = +6 [152] / -0
 300 [7620] < L = +5%L / -0
 ALL DIMENSIONS SHOWN
 ARE FOR REFERENCE ONLY.

THIRD-ANGLE PROJECTION
 THE INFORMATION AND
 DESIGN IN THIS DOCUMENT
 IS THE PROPERTY OF
 TRANSTECTOR, INC.
 ALL RIGHTS RESERVED.
 SHEET 1 OF 1
 SCALE 1:1

SIZE	CAGE CODE	DRAWN BY	ITEM NO.
A	30992	DPM	SP50RS-BRKT
			REV A

THESE COMMODITIES, TECHNOLOGY OR SOFTWARE WERE EXPORTED FROM THE UNITED STATES IN ACCORDANCE WITH THE EXPORT ADMINISTRATION REGULATIONS. DIVERSION CONTRARY TO U.S. LAW PROHIBITED.

T-Rev-D