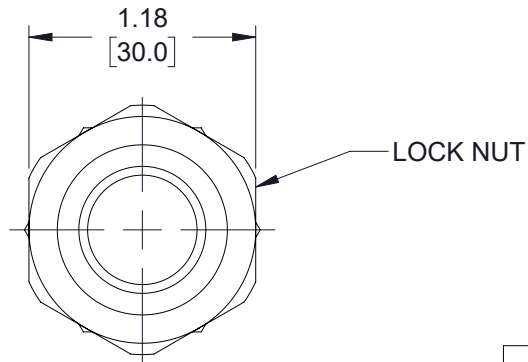
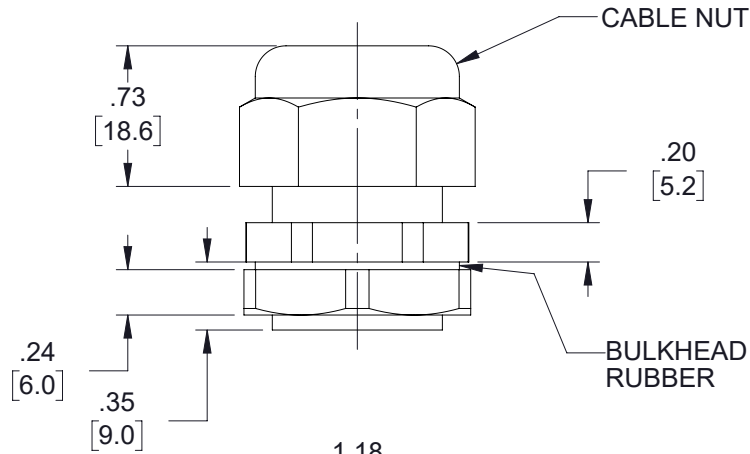
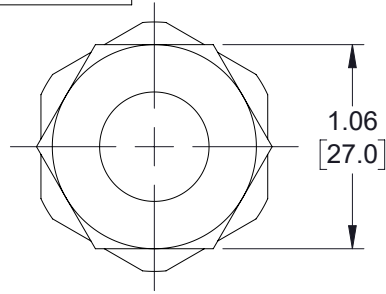


THE INFORMATION CONTAINED IN THIS DRAWING IS THE SOLE PROPERTY OF TRANSTECTOR, INC.. ANY REPRODUCTION IN PART OR WHOLE WITHOUT THE WRITTEN PERMISSION OF TRANSTECTOR, INC. IS PROHIBITED.

REVISIONS			
REV	DESCRIPTION	DATE	APPROVED
A	INITIAL RELEASE	11/05/2019	MMARTINEZ



UNLESS OTHERWISE SPECIFIED,
DIMENSIONS ARE IN INCHES [mm]

OVERALL CABLE LENGTH TOLERANCE:
 ≤ 12 [305] = +1 [25] / -0
 > 12 [305] ≤ 60 [1524] = +2 [51] / -0
 > 60 [1524] ≤ 120 [3048] = +4 [102] / -0
 > 120 [3048] ≤ 300 [7620] = +6 [152] / -0
 > 300 [7620] = +5% / -0

ALL OTHER DIMENSIONAL TOLERANCES:
.X = $\pm .2$ [5] | FRACTIONS $\pm 1/32$
.XX = $\pm .02$ [.5] | ANGLES $\pm 1^\circ$
.XXX = $\pm .005$ [.13]

THIRD-ANGLE PROJECTION

APPROVALS	DATE
DRAWN BY DZINN	11/05/2019
CHECKED BY DFRISIELLO	11/05/2019
APPROVED BY MHEARN	11/05/2019

TRANSTECTOR
an INFINITI® brand

10701 Airport Road,
Hayden, ID 83835
Phone: 1.208.635.6400
Fax: 1.208.955.2041

CATEGORY: ENCLOSURE

PRODUCT DESCRIPTION: PC HUB Cord Grip w/ Lock Nut (.394-.551)

CONFIGURATION DETAILS OF UNDIMENSIONED FEATURES MAY VARY

COLOR VARIATIONS MAY OCCUR

SIZE	CAGE CODE	DWG. NO.	REV.
A	30992	TE-CG0.88	A

SCALE: NONE | CAD FILE: TE-CG0.88.SLDDRW | SHEET 1 OF 1