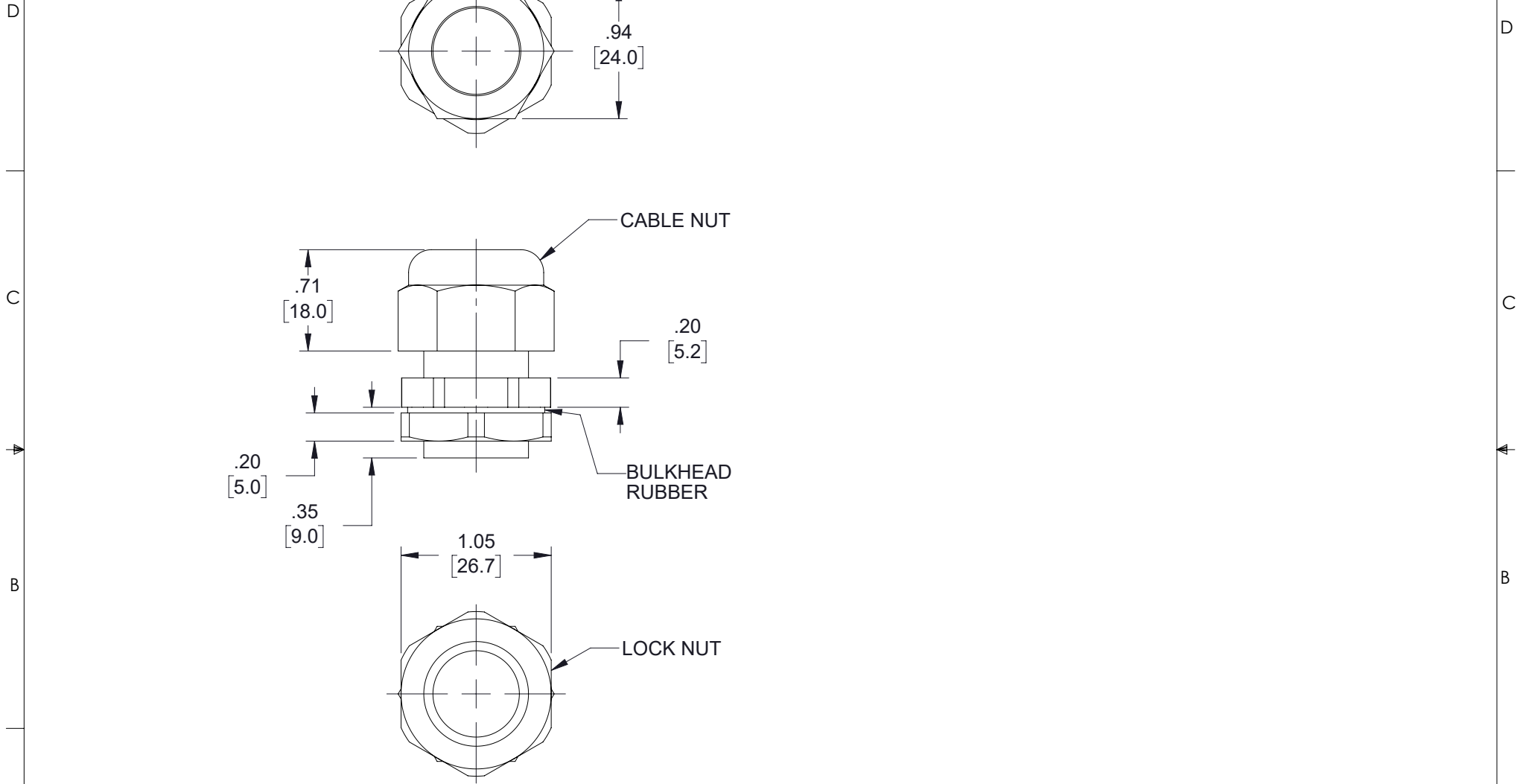


THE INFORMATION CONTAINED IN THIS DRAWING IS THE SOLE PROPERTY OF TRANSTECTOR, INC. ANY REPRODUCTION IN PART OR WHOLE WITHOUT THE WRITTEN PERMISSION OF TRANSTECTOR, INC. IS PROHIBITED.

REVISIONS			
REV	DESCRIPTION	DATE	APPROVED
A	INITIAL RELEASE	11/04/2019	MMARTINEZ



<p>UNLESS OTHERWISE SPECIFIED, DIMENSIONS ARE IN INCHES [mm]</p> <p>OVERALL CABLE LENGTH TOLERANCE: ≤ 12 [305] = +1 [25] / -0 > 12 [305] ≤ 60 [1524] = +2 [51] / -0 > 60 [1524] ≤ 120 [3048] = +4 [102] / -0 > 120 [3048] ≤ 300 [7620] = +6 [152] / -0 > 300 [7620] = +5% / -0</p> <p>ALL OTHER DIMENSIONAL TOLERANCES: $.X = \pm .2$ [5] FRACTIONS $\pm 1/32$ $.XX = \pm .02$ [.5] ANGLES $\pm 1^\circ$ $.XXX = \pm .005$ [.13]</p> <p>THIRD-ANGLE PROJECTION</p>	<p>APPROVALS</p> <p>DATE</p>	<p>10701 Airport Road, Hayden, ID 83835 Phone: 1.208.635.6400 Fax: 1.208.955.2041</p>		
	<p>DRAWN BY DZINN</p> <p>CHECKED BY DFRISIELLO</p> <p>APPROVED BY MMARTINEZ</p>	<p>11/04/2019</p> <p>11/04/2019</p> <p>11/04/2019</p>	<p>TRANSTECTOR an INFINITI® brand</p> <p>CATEGORY ENCLOSURE</p> <p>PRODUCT DESCRIPTION PC HUB Cord Grip w/ Lock Nut (.236-.472)</p>	
<p>COLOR VARIATIONS MAY OCCUR</p>	<p>SIZE A</p>	<p>CAGE CODE 30992</p>	<p>DWG. NO. TE-CG0.8</p>	<p>REV. A</p>
SCALE: NONE		CAD FILE: TE-CG0.8.SLDDRW		SHEET 1 OF 1