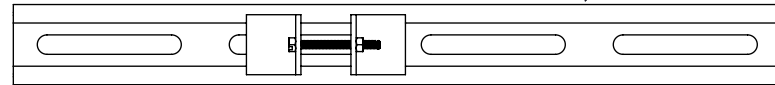
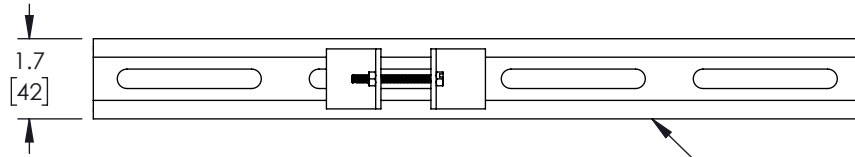
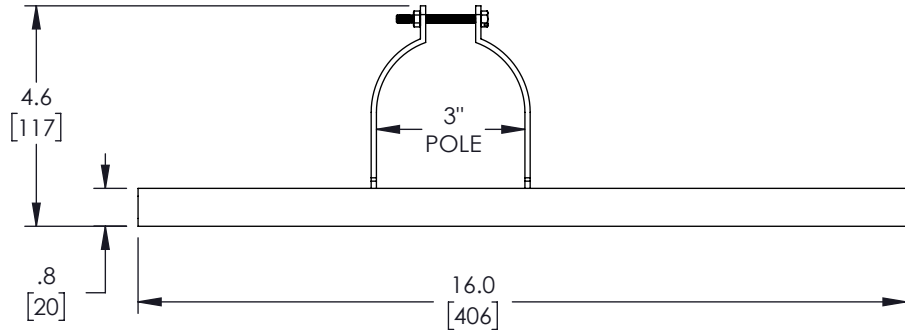
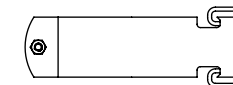
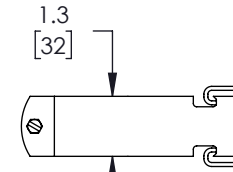


THE INFORMATION CONTAINED IN THIS DRAWING IS THE SOLE PROPERTY OF TRANSTECTOR, INC.. ANY REPRODUCTION IN PART OR WHOLE WITHOUT THE WRITTEN PERMISSION OF TRANSTECTOR, INC. IS PROHIBITED.

REVISIONS			
REV	DESCRIPTION	DATE	APPROVED
A	INITIAL RELEASE	04/19/2022	MMARTINEZ



2X MOUNTS



NOTES:

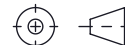
1. ALL HARDWARE INCLUDED

UNLESS OTHERWISE SPECIFIED, DIMENSIONS ARE IN INCHES [mm]

OVERALL CABLE LENGTH TOLERANCE:
 ≤12 [305] = +1 [25] / -0
 >12 [305] ≤60 [1524] = +2 [51] / -0
 >60 [1524] ≤120 [3048] = +4 [102] / -0
 >120 [3048] ≤300 [7620] = +6 [152] / -0
 >300 [7620] = +5% / -0

ALL OTHER DIMENSIONAL TOLERANCES:
 .X = ± .2 [5] | FRACTIONS ± 1/32
 .XX = ± .02 [5] | ANGLES ± 1°
 .XXX = ± .005 [13]

THIRD-ANGLE PROJECTION



APPROVALS	DATE
DRAWN BY BPUCHASKI	04/19/2022
CHECKED BY DFRISIELLO	04/19/2022
APPROVED BY MMARTINEZ	04/19/2022



10701 Airport Road,
Hayden, ID 83835
Phone: 1.208.635.6400
Fax: 1.208.955.2041

CONFIGURATION DETAILS OF UNDIMENSIONED FEATURES MAY VARY

COLOR VARIATIONS MAY OCCUR

CATEGORY
ENCLOSURES

PRODUCT DESCRIPTION
POLEMOUNT FOR PC201 608 ENCLOSURE - 3" POLE

SIZE	CAGE CODE	ITEM NO.	REV.
A	30992	TEF-PMT36	A

SCALE: NONE | CAD FILE: TEF-PMT36.SLDDRW | SHEET 1 OF 1