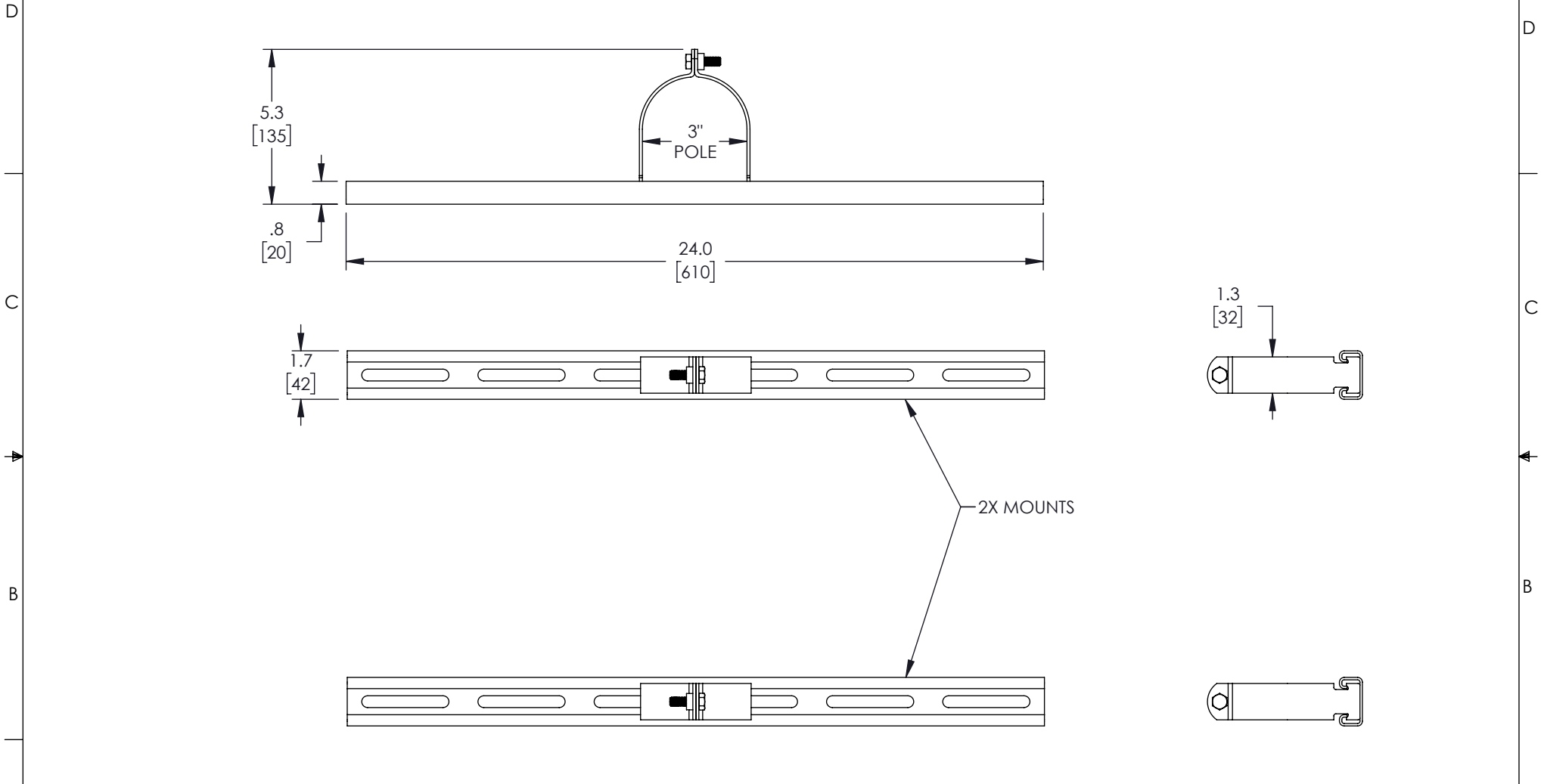


THE INFORMATION CONTAINED IN THIS DRAWING IS THE SOLE PROPERTY OF TRANSTECTOR, INC.. ANY REPRODUCTION IN PART OR WHOLE WITHOUT THE WRITTEN PERMISSION OF TRANSTECTOR, INC. IS PROHIBITED.

REVISIONS			
REV	DESCRIPTION	DATE	APPROVED
A	INITIAL RELEASE	04/19/2022	MMARTINEZ



NOTES:

- 1. ALL HARDWARE INCLUDED

<p>UNLESS OTHERWISE SPECIFIED, DIMENSIONS ARE IN INCHES [mm]</p> <p>OVERALL CABLE LENGTH TOLERANCE: ≤12 [305] = +1 [25] / -0 >12 [305] ≤60 [1524] = +2 [51] / -0 >60 [1524] ≤120 [3048] = +4 [102] / -0 >120 [3048] ≤300 [7620] = +6 [152] / -0 >300 [7620] = +5% / -0</p> <p>ALL OTHER DIMENSIONAL TOLERANCES: .X = ± .2 [5] FRACTIONS ± 1/32 .XX = ± .02 [.5] ANGLES ± 1° .XXX = ± .005 [.13]</p> <p>THIRD-ANGLE PROJECTION</p>	APPROVALS	DATE	<p>an INFINITO brand</p>	10701 Airport Road, Hayden, ID 83835 Phone: 1.208.635.6400 Fax: 1.208.955.2041	
	DRAWN BY BPUCHASKI	04/19/2022			
	CHECKED BY DFRISIELLO	04/19/2022	CATEGORY	ENCLOSURES	
	APPROVED BY MMARTINEZ	04/19/2022	PRODUCT DESCRIPTION	POLEMOUNT FOR PC242410 ENCLOSURE - 3" POLE	
CONFIGURATION DETAILS OF UNDIMENSIONED FEATURES MAY VARY	COLOR VARIATIONS MAY OCCUR	SIZE A	CAGE CODE 30992	ITEM NO. TEF-PMT40	REV. A
		SCALE: NONE	CAD FILE: TEF-PMT40.SLDDRW	SHEET 1 OF 1	