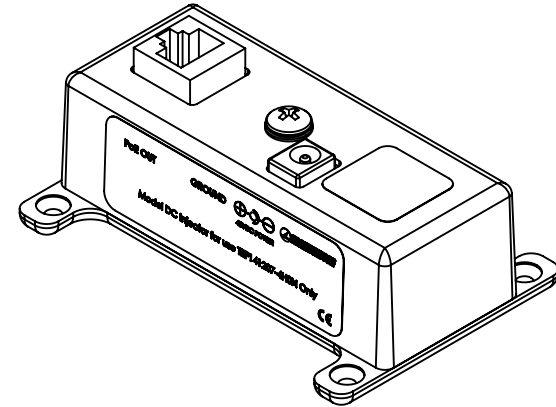
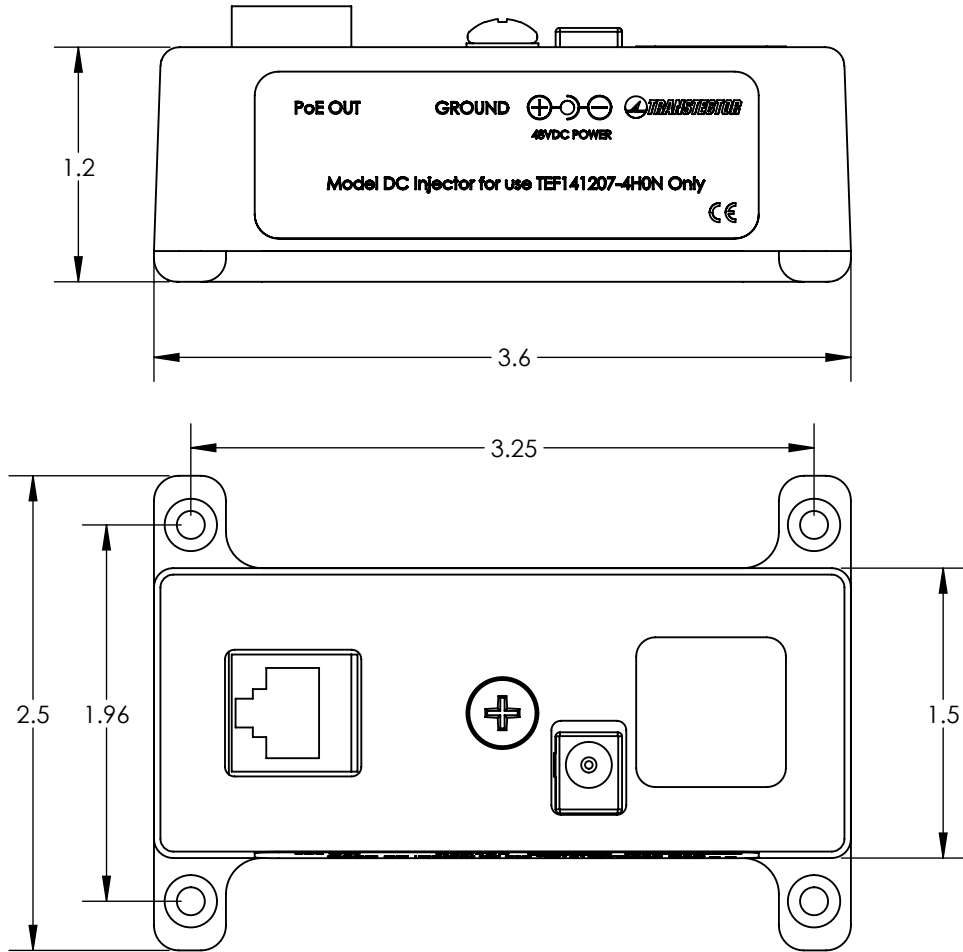


REVISIONS			
REV.	DESCRIPTION	DATE	APPROVED
A	REV A DRAWING RELEASED	11/28/2018	BPUCHASKI



- ALL DIMENSIONS FOR REFERENCE ONLY -

THESE COMMODITIES, TECHNOLOGY OR SOFTWARE WERE EXPORTED FROM THE UNITED STATES IN ACCORDANCE WITH THE EXPORT ADMINISTRATION REGULATIONS. DIVERSION CONTRARY TO U.S. LAW PROHIBITED.

UNLESS OTHERWISE SPECIFIED LEADING DIMENSIONS ARE INCHES DIMENSIONS IN [ ] ARE MILLIMETERS	
TOLERANCES:	
X=± .2 [5.08]	FRACTIONS ± 1/32
.XX=± .01 [.25]	ANGLES ± 1°
.XXX=± .005 [.13]	
ALL DIMENSIONS SHOWN ARE FOR REFERENCE ONLY.	
THIRD-ANGLE PROJECTION	



TRANSTECTOR SYSTEMS, INC.  
10701 AIRPORT ROAD, HAYDEN, IDAHO 83835  
PHONE: 1.208.635.6400  
1.800.882.9110  
FAX: 1.208.955.2041

THE INFORMATION AND  
DESIGN IN THIS DOCUMENT  
IS THE PROPERTY OF  
TRANSTECTOR CORPORATION.  
ALL RIGHTS RESERVED.

SHEET 1 OF 1

SCALE N/A

SIZE	CAGE	DRAWN BY	PART NUMBER	REV
A	30992	BPUCHASKI	TEF14-C5-TE2	A