

18x16x08 Fiberglass Reinf Polyester FRP Weatherproof Outdoor IP24 NEMA 3R Enclosure, 120 VAC MNT PLT, Mechanical Thermostat Fan Gray



**TEF181608-10F**

**Features**

- Molded Fiberglass Reinforced Polyester (FRP) industrial enclosure
- Stainless steel quick release latches with padlock hasps
- NEMA Type 3R / IP24 rated
- Fully gasketed vented lid with filters & integral mounting flange
- Features aluminum mounting plate with surge protected duplex 120 VAC outlets & thermostat controlled cooling system

**Applications**

- Remote Wireless LAN WiFi equipment installations
- Indoor and outdoor installations
- Rapid Deployment Installations
- Corrosive environments & hotspot applications
- Protection of equipment from theft or damage

**Description**

The box is a rugged weatherproof enclosure that is ideal for both indoor and outdoor applications. Constructed from molded fiberglass reinforced polyester, it is well suited for high temperature or corrosive environments. The integrated mounting flange allows it to be mounted directly to any flat wall surface provided proper screws are used into secure studs. The enclosure can also be mounted to a wide diameter range of poles with one of our optional pole mounting hardware kits. The lid features a stainless steel continuous hinge and stainless steel quick release latches with padlock hasps. Includes fully gasketed vented lid with filters & integral mounting flange. The enclosure material is UV stabilized and comes in machine tool gray.

**Mounting Plate**

The modified aluminum mounting plate included with the TEF181608-10F features standard surge protected duplex 120 VAC outlets and a terminal block for easy hook up to externally provided line power. The enclosure also features holes for two N-Bulkhead lightning protectors or connectors, a grounding lug, and a cable conduit connector.

**Cooling**

To help ensure trouble-free operation of electronic equipment, proper operating temperatures inside an enclosure needs to be controlled. With the built-in dual cooling fans, internal temperatures can be better maintained. This model is ideal in hot environments.

For cooling the TEF181608-10F model includes two thermostat-controlled 16.4W (32.8W total) fans. The high airflow, low noise fans used allow warm air to be actively pushed out the top vent while the second fan on the lower vent actively pulls in outside air into the enclosure. Filters for both ports prevent foreign objects or debris from entering the enclosure. The fans turn on when the internal temperature rises to 120° F (49° C) ±5° and turn off at 90° F (32° C) ±10°. The cooling fans do not require the use of any of the AC outlets, leaving them all available for your equipment.

The TEF-PMT series of pole mounting kits allow the populated enclosure to be securely mounted to a variety of different size poles.

Compatible versions include TEF-PMT13, TEF-PMT16, TEF-PMT28, TEF-PMT29, TEF-PMT30 & TEF-PMT33

**Size**

Outer Height	19.5 in	[495.3 mm]
Outer Width	17.5 in	[444.5 mm]

Click the following link (or enter part number in "SEARCH" on website) to obtain additional part information including price, inventory and certifications:  
[18x16x08 Fiberglass Reinf Polyester FRP Weatherproof Outdoor IP24 NEMA 3R Enclosure, 120 VAC MNT PLT, Mechanical Thermostat Fan Gray TEF181608-10F](#)

18x16x08 Fiberglass Reinf Polyester FRP Weatherproof Outdoor IP24 NEMA 3R Enclosure, 120 VAC MNT PLT, Mechanical Thermostat Fan Gray



## TEF181608-10F

Outer Depth	10 in	[254 mm]
Inner Height	17.7 in	[449.58 mm]
Inner Width	15.7 in	[398.78 mm]
Inner Depth	8.4 in	[213.36 mm]
Weight	19.8 lbs	[8.98 kg]
Enclosure Material	Fiberglass Reinforced Polyester (FRP)	

### Environmental Specifications

Temperature Rating	-50 to +150 deg C
NEMA Rating	3R
Ingress Protection (IP) Rating	IP24

### Compliance Certifications

UL Listed	No
-----------	----

Transtector Systems specializes in protection of highly sensitive, low voltage equipment through its patented, non-degrading silicon diode technology and custom filters. Our power quality expertise translates into a diverse product offering including AC, DC, and signal applications as well as integrated cabinets, power distribution panels and EMP hardened devices.

Click the following link (or enter part number in "SEARCH" on website) to obtain additional part information including price, inventory and certifications: [18x16x08 Fiberglass Reinf Polyester FRP Weatherproof Outdoor IP24 NEMA 3R Enclosure, 120 VAC MNT PLT, Mechanical Thermostat Fan Gray TEF181608-10F](https://www.transtector.com/18x16x08-fiberglass-reinf-polyester-frp-weatherproof-outdoor-tef181608-10f-p.aspx)

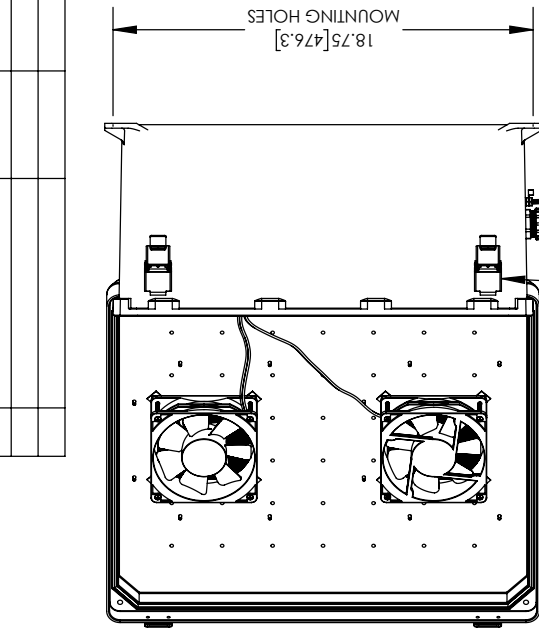
URL: <https://www.transtector.com/18x16x08-fiberglass-reinf-polyester-frp-weatherproof-outdoor-tef181608-10f-p.aspx>

The information contained in this document is accurate to the best of our knowledge and representative of the part described herein. It may be necessary to make modifications to the part and/or the documentation of the part, in order to implement improvements. Transtector reserves the right to make such changes as required. Unless otherwise stated, all specifications are nominal. Transtector does not make any representation or warranty regarding the suitability of the part described herein for any particular purpose, and Transtector does not assume any liability arising out of the use of any part or documentation.

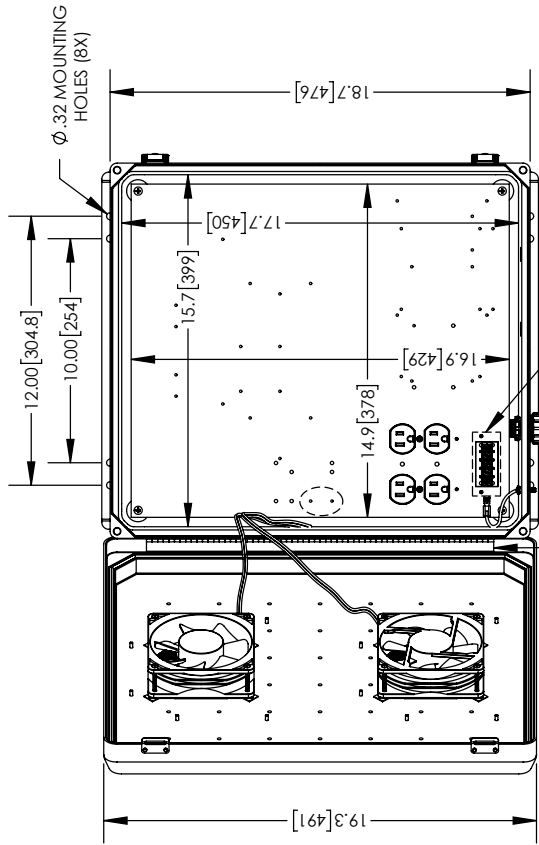
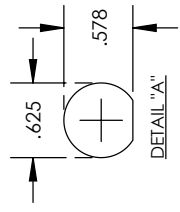
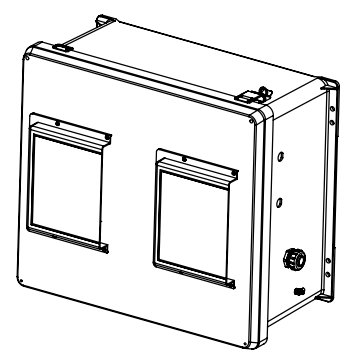
18x16x08 Fiberglass Reinf Polyester FRP Weatherproof Outdoor IP24 NEMA  
 3R Enclosure, 120 VAC MNT PLT, Mechanical Thermostat Fan Gray

TEF181608-10F CAD Drawing

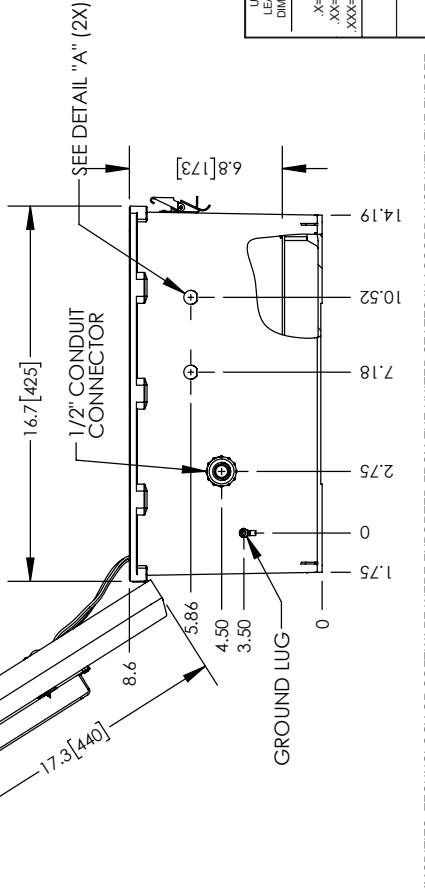
REVISIONS			
REV.	DESCRIPTION	DATE	APPROVED
A	REV A DRAWING RELEASED	05/09/2019	DGUTTADAUR



316 SS PADLOCKABLE LATCHES  
 Ø.375 PADLOCK EYE



HIDDEN LINES REPRESENT COMPONENTS  
 ON BACK OF PLATE-DO NOT DRILL-



UNLESS OTHERWISE SPECIFIED  
 LEADING DIMENSIONS ARE IN INCHES  
 DIMENSIONS IN [ ] ARE MILLIMETERS

TOLERANCES:  
 .X±.2 [5.08]  
 .XX±.01 [.25]  
 .XXX±.005 [.13]

FRACTIONS  
 ±.1/32  
 ANGLES ±1°

ALL DIMENSIONS SHOWN  
 ARE FOR REFERENCE ONLY

THIRD-ANGLE PROJECTION

THE INFORMATION AND DESIGN IN THIS DOCUMENT IS THE PROPERTY OF TRANSTECTOR CORPORATION. ALL RIGHTS RESERVED.

SHEET 1 OF 1  
 SCALE N/A

TRANSTECTOR  
 TRANSTECTOR SYSTEMS, INC.  
 10701 AIRPORT ROAD, HAYDEN, IDAHO 83835  
 PHONE: 1.208.635.6400  
 FAX: 1.208.955.2041

SIZE A CAGE DRAWN BY PART NUMBER REV  
 A 30992 BPUCHASKI TEF181608-10F A

THESE COMMODITIES, TECHNOLOGY, OR SOFTWARE WERE EXPORTED FROM THE UNITED STATES IN ACCORDANCE WITH THE EXPORT ADMINISTRATION REGULATIONS. DIVERSION CONTRARY TO U.S. LAW PROHIBITED.