

18x16x08 Fiberglass Reinf Polyester FRP Weatherproof Outdoor IP66 NEMA 4 Enclosure, 120 VAC MNT PLT, Solid State Thermostat Heat Gray

TEF181608-1H0S



Features

- Molded Fiberglass Reinforced Polyester (FRP) industrial enclosure
- Stainless steel quick release latches with padlock hasps
- NEMA Type 4 / IP66 rated*
- Fully gasketed lid & integral mounting flange
- Features aluminum mounting plate with surge protected duplex 120 VAC outlets & solid state thermostat controlled heating system

Applications

- Remote Wireless LAN WiFi equipment installations
- Indoor and outdoor installations
- Rapid Deployment Installations
- Corrosive environments & hotspot applications
- Protection of equipment from theft or damage

Description

The box is a rugged weatherproof enclosure that is ideal for both indoor and outdoor applications. Constructed from molded fiberglass reinforced polyester, it is well suited for high temperature or corrosive environments. The integrated mounting flange allows it to be mounted directly to any flat wall surface provided proper screws are used into secure studs. The enclosure can also be mounted to a wide diameter range of poles with one of our optional pole mounting hardware kits. The lid features a stainless steel continuous hinge and stainless steel quick release latches with padlock hasps. Includes fully gasketed lid & integral mounting flange. The enclosure material is UV stabilized and comes in machine tool gray.

Mounting Plate

The modified aluminum mounting plate included with the TEF181608-1H0S features standard surge protected duplex 120 VAC outlets and a terminal block for easy hook up to externally provided line power. The enclosure also features holes for two N-Bulkhead lightning protectors or connectors, a grounding lug, and a cable conduit connector.

Heating

To help ensure trouble-free operation of electronic equipment, proper operating temperatures inside an enclosure need to be controlled. With the built-in heaters, internal temperatures can be better maintained. This model is ideal in cold environments. The heaters are controlled by an integral high current solid state AC relay. The relay features Zero Cross Detection for EMI reduction.

For heating, the TEF181608-1H0S includes our exclusive solid state temperature controller that utilizes dual 200W (400W total) heaters. The controller features improved temperature set point accuracy. The heaters turn on when the internal temperature drops to 40° F (4.4° C) and turn off when the temperature hits 49° F (9.4° C). The heaters do not require the use of any of the AC outlets, leaving them all available for your equipment. No extra room for the heaters is required since they are mounted underneath the plate.

The TEF-PMT series of pole mounting kits allow the populated enclosure to be securely mounted to a variety of different size poles.

Compatible versions include TEF-PMT13, TEF-PMT16, TEF-PMT28, TEF-PMT29, TEF-PMT30 & TEF-PMT33

*Note: Enclosure ports (cable conduit connector and N-type holes for lightning protectors or connectors) must be properly sealed to maintain NEMA Type 4 / IP66 rating

Click the following link (or enter part number in "SEARCH" on website) to obtain additional part information including price, inventory and certifications:
[18x16x08 Fiberglass Reinf Polyester FRP Weatherproof Outdoor IP66 NEMA 4 Enclosure, 120 VAC MNT PLT, Solid State Thermostat Heat Gray TEF181608-1H0S](#)

18x16x08 Fiberglass Reinf Polyester FRP Weatherproof Outdoor IP66 NEMA 4 Enclosure, 120 VAC MNT PLT, Solid State Thermostat Heat Gray



TEF181608-1H0S

Size

Outer Height	19.5 in	[495.3 mm]
Outer Width	17.5 in	[444.5 mm]
Outer Depth	10 in	[254 mm]
Inner Height	17.7 in	[449.58 mm]
Inner Width	15.7 in	[398.78 mm]
Inner Depth	8.4 in	[213.36 mm]
Weight	20 lbs	[9.07 kg]
Enclosure Material	Fiberglass Reinforced Polyester (FRP)	

Environmental Specifications

Temperature Rating	-50 to +150 deg C
NEMA Rating	4
Ingress Protection (IP) Rating	IP66

Compliance Certifications

UL Listed	No
-----------	----

Transtector Systems specializes in protection of highly sensitive, low voltage equipment through its patented, non-degrading silicon diode technology and custom filters. Our power quality expertise translates into a diverse product offering including AC, DC, and signal applications as well as integrated cabinets, power distribution panels and EMP hardened devices.

Click the following link (or enter part number in "SEARCH" on website) to obtain additional part information including price, inventory and certifications: [18x16x08 Fiberglass Reinf Polyester FRP Weatherproof Outdoor IP66 NEMA 4 Enclosure, 120 VAC MNT PLT, Solid State Thermostat Heat Gray TEF181608-1H0S](#)

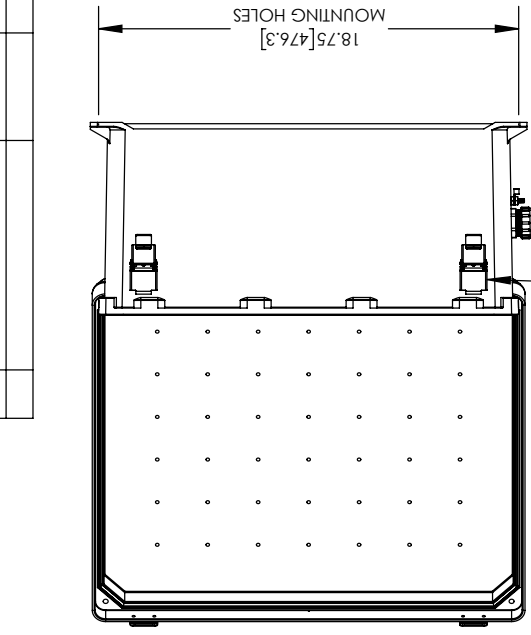
URL: <https://www.transtector.com/18x16x08-fiberglass-reinf-polyester-frp-weatherproof-outdoor-tef181608-1h0s-p.aspx>

The information contained in this document is accurate to the best of our knowledge and representative of the part described herein. It may be necessary to make modifications to the part and/or the documentation of the part, in order to implement improvements. Transtector reserves the right to make such changes as required. Unless otherwise stated, all specifications are nominal. Transtector does not make any representation or warranty regarding the suitability of the part described herein for any particular purpose, and Transtector does not assume any liability arising out of the use of any part or documentation.

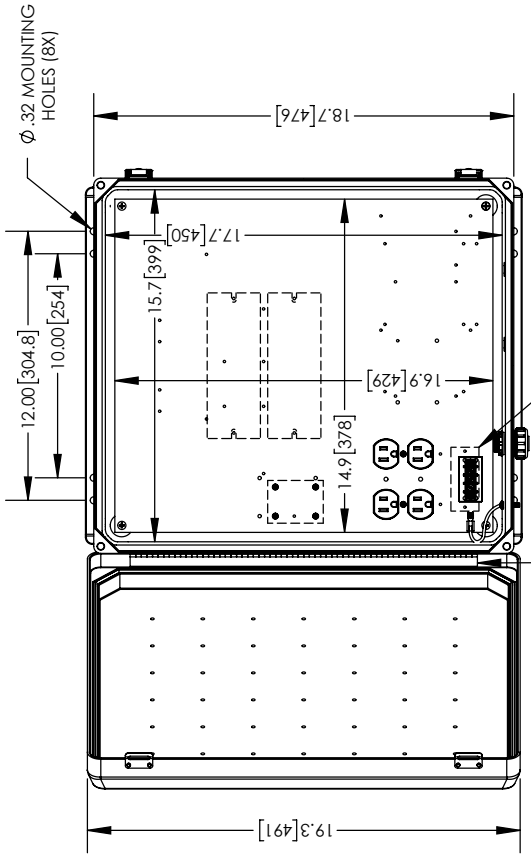
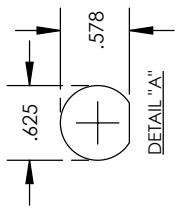
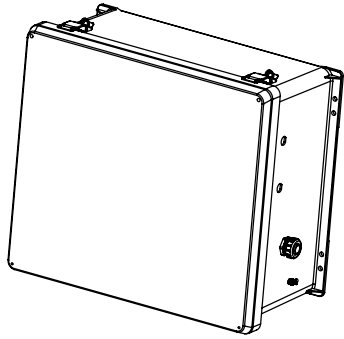
18x16x08 Fiberglass Reinf Polyester FRP Weatherproof Outdoor IP66 NEMA
4 Enclosure, 120 VAC MNT PLT, Solid State Thermostat Heat Gray

TEF181608-1H0S CAD Drawing

REVISIONS			
REV.	DESCRIPTION	DATE	APPROVED
A	REV A DRAWING RELEASED	05/09/2019	DGUITTADAUR

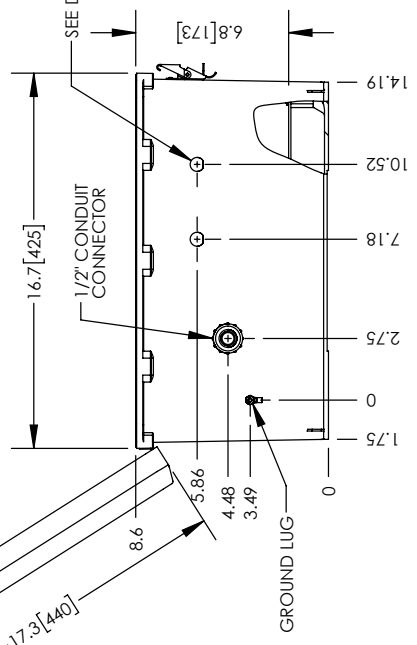


316 SS PADLOCKABLE LATCHES
Ø.375 PADLOCK EYE



HIDDEN LINES REPRESENT COMPONENTS
ON BACK OF PLATE - DO NOT DRILL-

304 SS PIANO
HINGE



SEE DETAIL "A" (2X)

1/2" CONDUIT
CONNECTOR

GROUND LUG

UNLESS OTHERWISE SPECIFIED
LEADING DIMENSIONS ARE IN INCHES
DIMENSIONS IN [] ARE MILLIMETERS

TOLERANCES:
 .X±.2 [5.08] FRACTIONS
 .XX±.01 [.25] ±.152
 .XXX±.005 [.13] ANGLES ±1°
 ALL DIMENSIONS SHOWN
 ARE FOR REFERENCE ONLY

THIRD-ANGLE PROJECTION

THE INFORMATION AND
DESIGN IN THIS DOCUMENT
IS THE PROPERTY OF
TRANSTECTOR CORPORATION.
ALL RIGHTS RESERVED.

SHEET 1 OF 1
SCALE N/A

TRANSTECTOR
 TRANSTECTOR SYSTEMS, INC.
 10701 AIRPORT ROAD, HAYDEN, IDAHO 83835
 PHONE: 1.208.635.6400
 FAX: 1.208.955.2041

SIZE A CAGE 30992 PART NUMBER TEF181608-1H0S REV A

THESE COMMODITIES, TECHNOLOGY OR SOFTWARE WERE EXPORTED FROM THE UNITED STATES IN ACCORDANCE WITH THE EXPORT
ADMINISTRATION REGULATIONS. DIVERSION CONTRARY TO U.S. LAW PROHIBITED.