

6

5

4

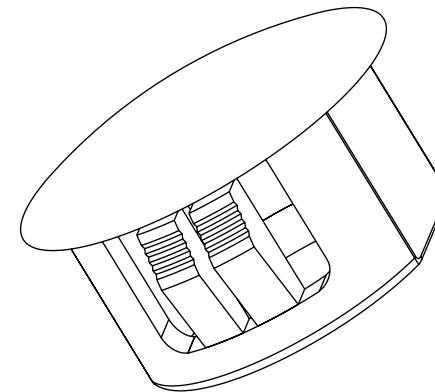
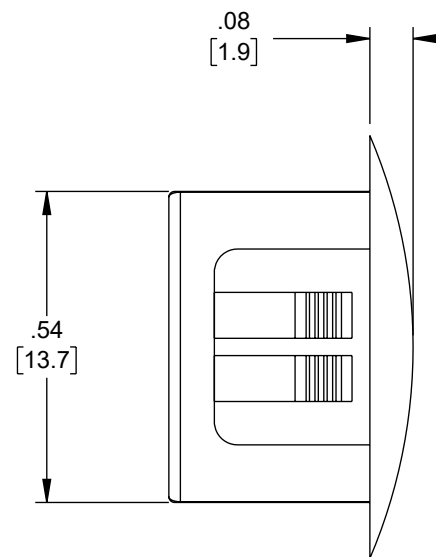
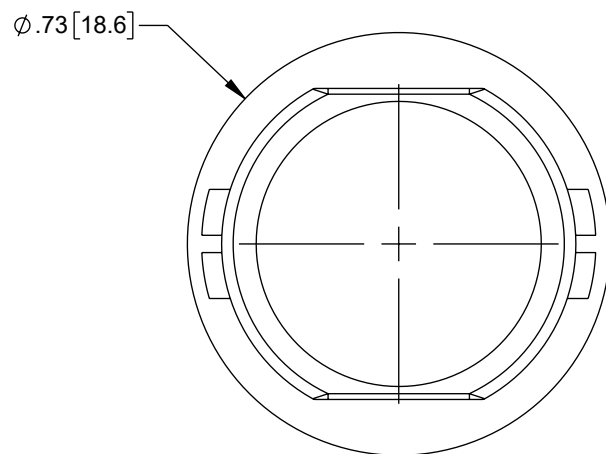
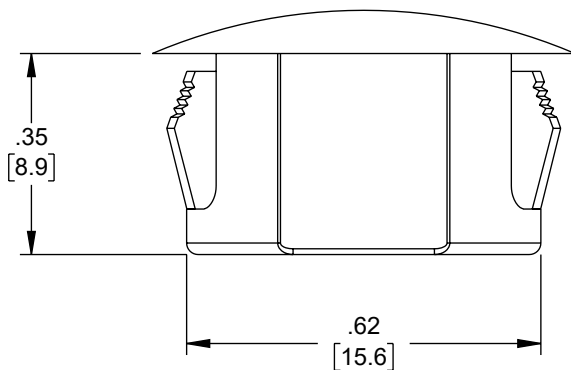
3

2

1

## REVISION

ZONE	REV	DESCRIPTION	DATE	CHANGED BY	APPROVED
	A	INITIAL RELEASE	10/30/2023	KGLEBOVA	THOUGHTON



## NOTES:

1. MATERIAL: 6/6 NYLON, BLACK

## 2. PACKAGING:

- COMPONENT SHALL BE PACKAGED IN ACCORDANCE WITH SPEC PKG-00012.
- PACKAGED 10 PLUGS PER BAG.

## REGULATORY COMPLIANCE:

EU RoHS DIRECTIVE (MOST RECENT RELEASED VERSION)

THE INFORMATION CONTAINED IN THIS DRAWING IS THE SOLE PROPERTY OF INFINITE ELECTRONICS, INC. ANY REPRODUCTION IN PART OR WHOLE WITHOUT THE WRITTEN PERMISSION OF INFINITE ELECTRONICS, INC. IS PROHIBITED. THESE COMMODITIES, TECHNOLOGY OR SOFTWARE WERE EXPORTED FROM THE UNITED STATES IN ACCORDANCE WITH THE EXPORT ADMINISTRATION REGULATIONS. DIVERSION CONTRARY TO U.S. LAW PROHIBITED.

UNLESS OTHERWISE SPECIFIED  
LEADING DIMENSIONS ARE INCHES  
DIMENSIONS IN [ ] ARE MILLIMETERS

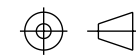
TOLERANCES:  
 .X =  $\pm 2$  [5]      FRACTIONS  
 .XX =  $\pm 02$  [0.5]     $\pm 1/32$   
 .XXX =  $\pm .005$  [0.13]    ANGLES  $\pm 1^\circ$

CABLE LENGTH TOLERANCES:  
 $\leq 12$  [305] =  $\pm 1$  [25] / -0  
 $>12$  [305]  $\leq 60$  [1524] =  $\pm 2$  [51] / -0  
 $>60$  [1524]  $\leq 120$  [3048] =  $\pm 4$  [102] / -0  
 $>120$  [3048]  $\leq 300$  [7620] =  $\pm 6$  [152] / -0  
 $>300$  [7620] =  $\pm 5\%$  / -0

ALL DIMENSIONS ARE FOR REFERENCE ONLY  
AND SUBJECT TO CHANGE WITHOUT NOTICE.  
UN-DIMENSIONED/NON-CRITICAL FEATURES  
MAY VARY IN SIZE AND LOCATION  
COLORS MAY VARY



Website: [www.Transtector.com](http://www.Transtector.com)  
Phone: 1.800.882.9110 | 1.208.635.6400



INTERPRET ALL DIMENSIONS AND  
TOLERANCES PER ASME Y14.5

SCALE: NONE      SHEET: 1 OF 1

DESCRIPTION					
BLACK H/D-CUT HOLE PLUG (10 PACK)					
SIZE	CAGE CODE	DRAWN BY	ITEM NO.	REV	
A	30992	KGLEBOVA	TEFA-0001	A	

6

5

4

3

2

1