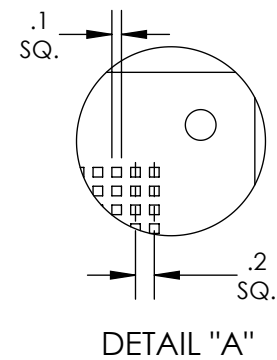
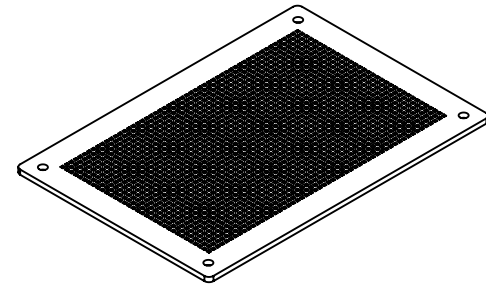
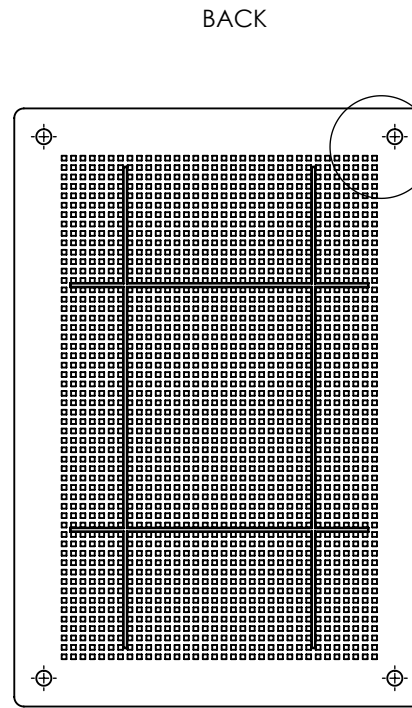
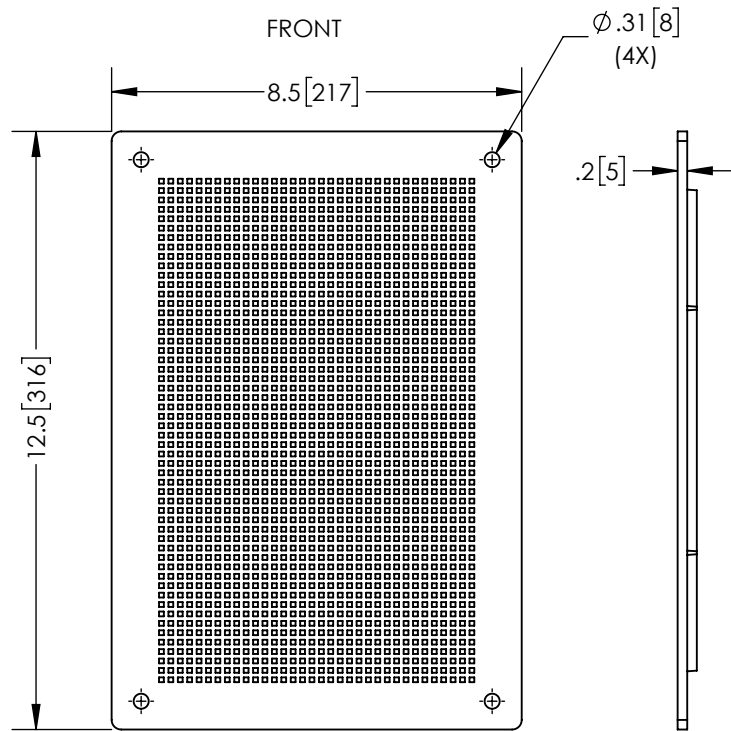


REVISIONS			
REV.	DESCRIPTION	DATE	APPROVED
A	REV A DRAWING RELEASED	05/08/2019	DGUTTAUR



THESE COMMODITIES, TECHNOLOGY OR SOFTWARE WERE EXPORTED FROM THE UNITED STATES IN ACCORDANCE WITH THE EXPORT ADMINISTRATION REGULATIONS. DIVERSION CONTRARY TO U.S. LAW PROHIBITED.

UNLESS OTHERWISE SPECIFIED LEADING DIMENSIONS ARE INCHES DIMENSIONS IN [] ARE MILLIMETERS	
TOLERANCES:	
X±.2 [5.08]	FRACTIONS ± 1/32
.XX±.01 [.25]	± 1/32
.XXX±.005 [.13]	ANGLES ± 1°
ALL DIMENSIONS SHOWN ARE FOR REFERENCE ONLY.	
THIRD-ANGLE PROJECTION	



TRANSTECTOR SYSTEMS, INC.
10701 AIRPORT ROAD, HAYDEN, IDAHO 83835
PHONE: 1.208.635.6400
1.800.882.9110
FAX: 1.208.955.2041

THE INFORMATION AND
DESIGN IN THIS DOCUMENT
IS THE PROPERTY OF
TRANSTECTOR CORPORATION.
ALL RIGHTS RESERVED.

SHEET 1 OF 1

SCALE N/A

SIZE	CAGE	DRAWN BY	PART NUMBER	REV
A	30992	BPUCHASKI	TEP14-PLATE32	A