

14x10x04 ABS Plastic Weatherproof Outdoor IP24 NEMA 3R Enclosure,
Hook & Loop Mounting, Fan & 48 VDC PoE outlets Gray

TEP141004-40FW



Features

- Compact Weatherproof Molded ABS Enclosure
- Fully gasketed padlockable raised lid, Vented with Rain Guards and Thermostat controlled Cooling Fan
- NEMA Type 3R / IP24 rated
- Power-Over-Ethernet (PoE) Interface
- Heavy duty hook-and-loop tape for mounting equipment in enclosure

Applications

- Remote Wireless LAN WiFi equipment installations
- Indoor and outdoor installations
- Rapid Deployment Installations
- Corrosive environments & hotspot applications
- Protection of equipment from theft or damage

Description

Secure your wireless equipment...

Remote wireless equipment such as access points, routers and bridges often are more vulnerable to tampering and theft. This can disrupt and even cripple critical communications. A low cost solution for protecting and securing your wireless equipment is the TEP141004-40FW. This rugged, weather-proof composite enclosure is ideal for both indoor and outdoor applications. The compact size of this enclosure makes it ideal for locations with limited space requirements such as equipment closets or mobile applications. Also due to its size, the TEP141004-40FW can be used where aesthetics are important, such as in offices and in public areas requiring HotSpots.

The 10.5" x 9.5" x 4" (266 x 241 x 101 mm) compartment features a removable power module with two 48 VDC PoE outlets. This power module has provisions to install two additional outlets. Cable access to the inside of the enclosure is via three rubber cable glands located on the bottom. Equipment can be mounted inside the enclosure by using the included hook-and-loop tape. The raised vented lid has rain guards installed to allow for outdoor installations and features a continuous gasket and a quick release latch with provisions for a padlock. The enclosure material is UV stabilized molded ABS. Three gasketed mounting holes are provided inside the enclosure for easy installations.

Cooling:

To help ensure trouble-free operation of electronic equipment, proper operating temperatures inside an enclosure needs to be maintained. With the built-in cooling fan, internal temperatures can be better maintained. This model is ideal in hot environments.

The TEP141004-40FW model includes a thermostat-controlled 2.9W (Max.) fan. The high airflow, low noise fan used allows warm air to be actively pushed out while the lower vent passively pulls in outside air into the enclosure. Filters for both ports prevent foreign objects or debris from entering the enclosure. The fan turns on when the internal temperature rises to 120° F (49° C) ±5° and turns off at 90° F (32° C) ±10°. The cooling fan does not require the use of any of the AC outlets, leaving them all available for your equipment.

The TEP14-PMT17 pole mounting kit (sold separately) is specifically designed for this enclosure and allows you to securely mount the enclosure to any 3-12 inch diameter pole

Size

Outer Height	14.5 in	[368.3 mm]
Outer Width	10.8 in	[274.32 mm]
Outer Depth	4.3 in	[109.22 mm]

Click the following link (or enter part number in "SEARCH" on website) to obtain additional part information including price, inventory and certifications:
[14x10x04 ABS Plastic Weatherproof Outdoor IP24 NEMA 3R Enclosure, Hook & Loop Mounting, Fan & 48 VDC PoE outlets Gray TEP141004-40FW](#)

14x10x04 ABS Plastic Weatherproof Outdoor IP24 NEMA 3R Enclosure,
Hook & Loop Mounting, Fan & 48 VDC PoE outlets Gray



TEP141004-40FW

Inner Height	10.5 in	[266.7 mm]
Inner Width	9.5 in	[241.3 mm]
Inner Depth	4 in	[101.6 mm]
Weight	3.7 lbs	[1.68 kg]
Enclosure Material	ABS Plastic	

Environmental Specifications

NEMA Rating	3R
Ingress Protection (IP) Rating	IP24

Compliance Certifications

UL Listed	No
-----------	----

Transtector Systems specializes in protection of highly sensitive, low voltage equipment through its patented, non-degrading silicon diode technology and custom filters. Our power quality expertise translates into a diverse product offering including AC, DC, and signal applications as well as integrated cabinets, power distribution panels and EMP hardened devices.

Click the following link (or enter part number in "SEARCH" on website) to obtain additional part information including price, inventory and certifications: [14x10x04 ABS Plastic Weatherproof Outdoor IP24 NEMA 3R Enclosure, Hook & Loop Mounting, Fan & 48 VDC PoE outlets Gray TEP141004-40FW](#)

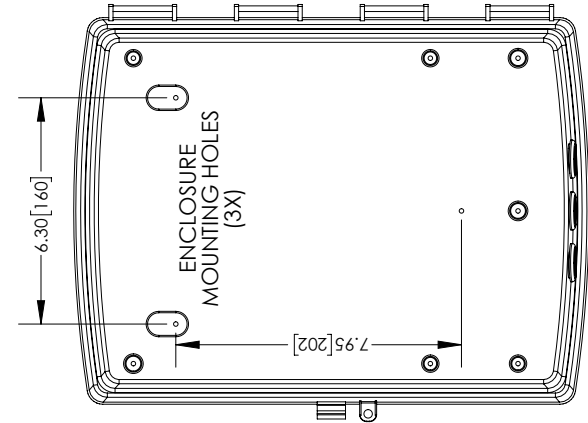
URL: <https://www.transtector.com/14x10x04-abs-plastic-weatherproof-outdoor-ip24-nema-tep141004-40fw-p.aspx>

The information contained in this document is accurate to the best of our knowledge and representative of the part described herein. It may be necessary to make modifications to the part and/or the documentation of the part, in order to implement improvements. Transtector reserves the right to make such changes as required. Unless otherwise stated, all specifications are nominal. Transtector does not make any representation or warranty regarding the suitability of the part described herein for any particular purpose, and Transtector does not assume any liability arising out of the use of any part or documentation.

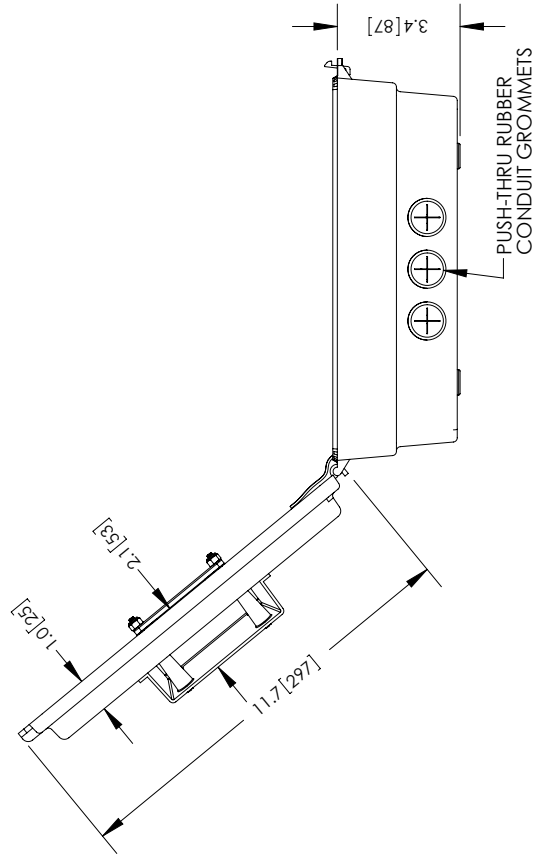
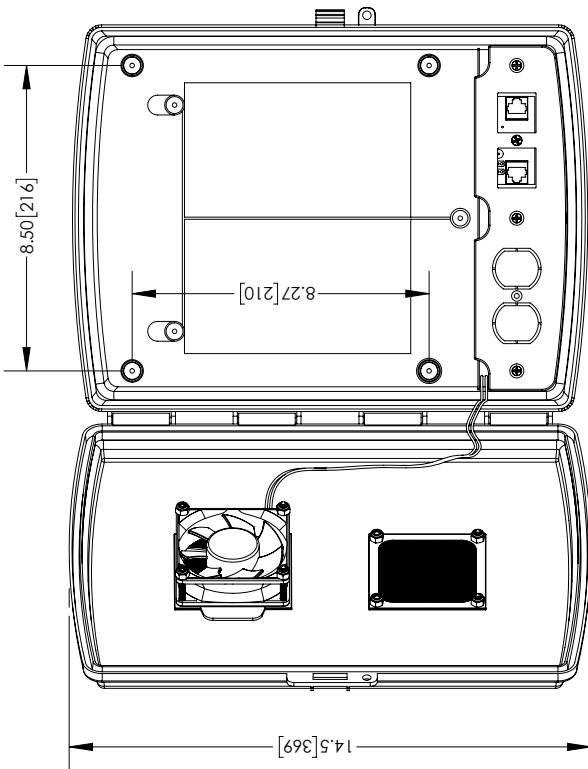
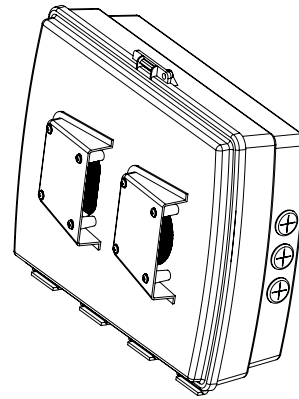
14x10x04 ABS Plastic Weatherproof Outdoor IP24 NEMA 3R Enclosure,
Hook & Loop Mounting, Fan & 48 VDC PoE outlets Gray

TEP141004-40FW CAD Drawing

REVISIONS			
REV.	DESCRIPTION	DATE	APPROVED
A	REV A DRAWING RELEASED	05/08/2019	DGUTTADAUR



BACK OF ENCLOSURE



UNLESS OTHERWISE SPECIFIED LEADING DIMENSIONS ARE INCHES DIMENSIONS IN [] ARE MILLIMETERS

TOLERANCES:
 X±.2 [5.08] FRACTIONS ±.1/32
 XX±.01 [.25] ±.1/32
 XXX±.005 [.13] ANGLES ±1°

ALL DIMENSIONS SHOWN ARE FOR REFERENCE ONLY.

THIRD-ANGLE PROJECTION

THE INFORMATION AND DESIGN IN THIS DOCUMENT IS THE PROPERTY OF TRANSECTOR CORPORATION. ALL RIGHTS RESERVED.

SHEET 1 OF 1
SCALE N/A

TRANSECTOR
 TRANSECTOR SYSTEMS, INC.
 10701 AIRPORT ROAD, HAYDEN, IDAHO 83835
 PHONE: 1.208.635.6400
 FAX: 1.208.955.2041

SIZE A CAGE 30992 PART NUMBER TEP141004-40FW REV A

DRAWN BY BPCHASKI

THESE COMMODITIES, TECHNOLOGY OR SOFTWARE WERE EXPORTED FROM THE UNITED STATES IN ACCORDANCE WITH THE EXPORT ADMINISTRATION REGULATIONS. DIVERSION CONTRARY TO U.S. LAW PROHIBITED.