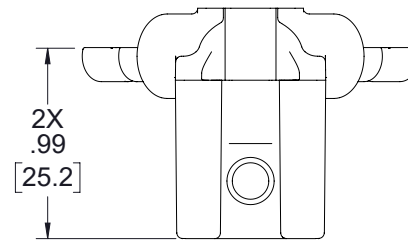
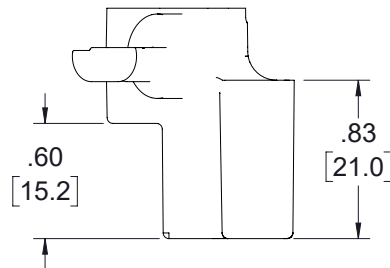
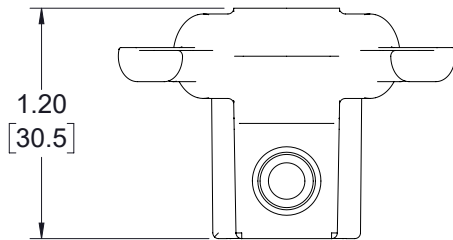
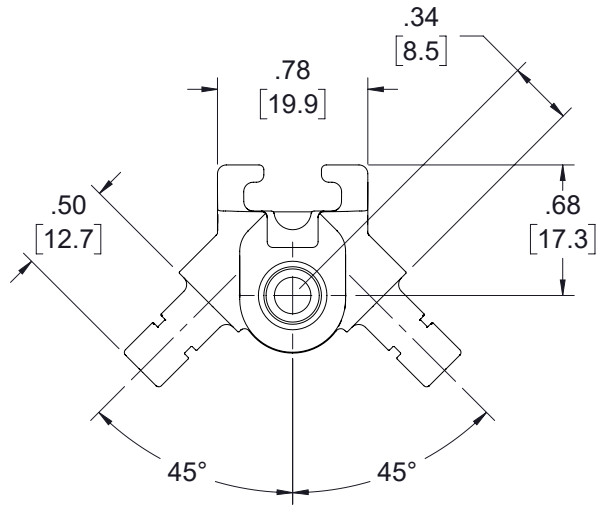



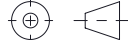
THE INFORMATION CONTAINED IN THIS DRAWING IS THE SOLE PROPERTY OF TRANSTECTOR, INC. ANY REPRODUCTION IN PART OR WHOLE WITHOUT THE WRITTEN PERMISSION OF TRANSTECTOR, INC. IS PROHIBITED.

REVISIONS			
REV	DESCRIPTION	DATE	APPROVED
A	INITIAL RELEASE	11/06/2019	MMARTINEZ



BACK PANEL KIT CONSISTS OF
(4) GRAY BRACKETS
& ASSOCIATED HARDWARE.

BRACKET MATERIAL:
POLYCARBONATE (DARK GRAY)

UNLESS OTHERWISE SPECIFIED, DIMENSIONS ARE IN INCHES [mm] OVERALL CABLE LENGTH TOLERANCE: ≤12 [305] = +1 [25] / -0 >12 [305] ≤60 [1524] = +2 [51] / -0 >60 [1524] ≤120 [3048] = +4 [102] / -0 >120 [3048] ≤300 [7620] = +6 [152] / -0 >300 [7620] = +5% / -0 ALL OTHER DIMENSIONAL TOLERANCES: .X = ± .2 [5] FRACTIONS ± 1/32 .XX = ± .02 [5] ANGLES ± 1° .XXX = ± .005 [1.3]	APPROVALS	DATE	 an INFINITO brand 10701 Airport Road, Hayden, ID 83835 Phone: 1.208.635.6400 Fax: 1.208.955.2041
	DRAWN BY DZINN CHECKED BY DFRISIELLO APPROVED BY MMARTINEZ	11/06/2019 11/06/2019 11/06/2019	
THIRD-ANGLE PROJECTION 	CONFIGURATION DETAILS OF UNDIMENSIONED FEATURES MAY VARY COLOR VARIATIONS MAY OCCUR	PRODUCT DESCRIPTION Panel Adjustment Kit-Gray	SCALE: NONE CAD FILE: TEPC-BPKG.SLDDRW SHEET 1 OF 1
SIZE A	CAGE CODE 30992	DWG. NO. TEPC-BPKG	REV. A