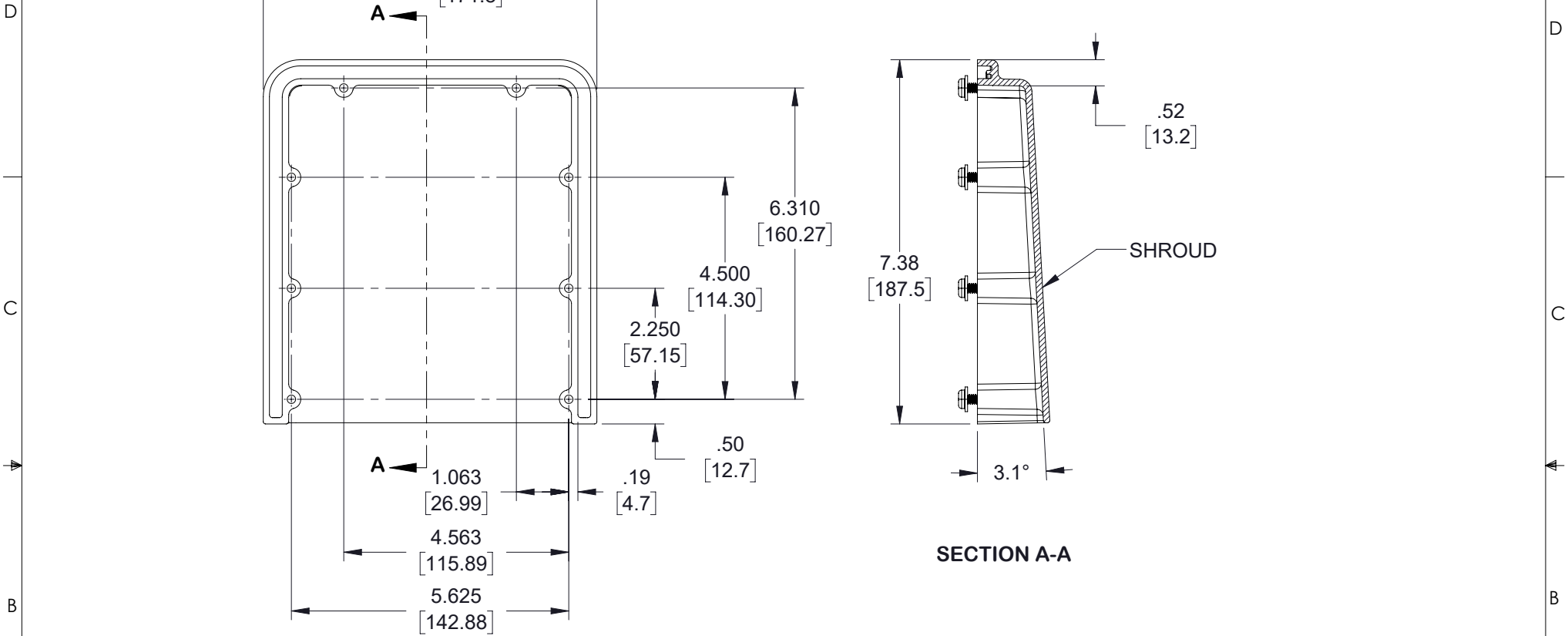
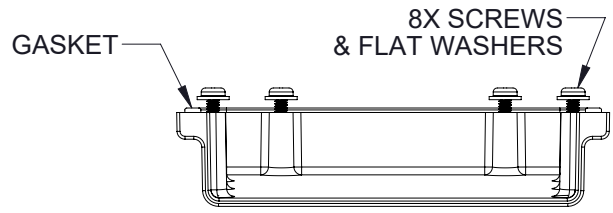


THE INFORMATION CONTAINED IN THIS DRAWING IS THE SOLE PROPERTY OF TRANSTECTOR, INC.. ANY REPRODUCTION IN PART OR WHOLE WITHOUT THE WRITTEN PERMISSION OF TRANSTECTOR, INC. IS PROHIBITED.

REVISIONS			
REV	DESCRIPTION	DATE	APPROVED
A	INITIAL RELEASE	11/06/2019	MMARTINEZ


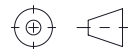


SECTION A-A



SHROUD MATERIAL:
POLYCARBONATE (DARK GRAY)

KIT CONTAINS 1:
SHROUD, GASKET, 8X HARDWARE

UNLESS OTHERWISE SPECIFIED, DIMENSIONS ARE IN INCHES [mm] OVERALL CABLE LENGTH TOLERANCE: ≤12 [305] = +1 [25] / -0 >12 [305] ≤60 [1524] = +2 [51] / -0 >60 [1524] ≤120 [3048] = +4 [102] / -0 >120 [3048] ≤300 [7620] = +6 [152] / -0 >300 [7620] = +5% / -0 ALL OTHER DIMENSIONAL TOLERANCES: .X = ± .2 [5] FRACTIONS ± 1/32 .XX = ± .02 [5] ANGLES ± 1° .XXX = ± .005 [13]	APPROVALS DRAWN BY CHECKED BY APPROVED BY	DATE 11/06/2019 11/06/2019 11/06/2019	 an INFINITI® brand 10701 Airport Road, Hayden, ID 83835 Phone: 1.208.635.6400 Fax: 1.208.955.2041		
	CONFIGURATION DETAILS OF UNDIMENSIONED FEATURES MAY VARY	CATEGORY ENCLOSURE		PRODUCT DESCRIPTION Fan Shroud Kit - 1pc (Includes gasket and screws)	
THIRD-ANGLE PROJECTION 	COLOR VARIATIONS MAY OCCUR	SIZE A	CAGE CODE 30992	DWG. NO. TEPC-V1	REV. A
SCALE: NONE		CAD FILE: TEPC-V1.SLDDRW		SHEET 1 OF 1	