

14x12x06 Polycarbonate Weatherproof Outdoor IP66 NEMA 4X Enclosure,  
240 VAC Universal Outlet MNT PLT, MECH Therm Heat Clear Lid DKG Y

## TEWPC141206-EH0



### Features

- High-Impact, UV Resistant Polycarbonate (Dark Gray)
- Stainless steel latches with padlock eye
- NEMA Type 4X / IP66\* rated (includes (4x) optional lid corner screws\*\*)
- Fully gasketed clear lid & user installed wall mounting brackets
- Features aluminum mounting plate with universal duplex socket for 240 VAC power & thermostat controlled heating system

### Applications

- Remote Wireless LAN WiFi equipment installations
- Indoor and outdoor installations
- Rapid Deployment Installations
- Corrosive environments & hotspot applications
- Protection of equipment from theft or damage

### Description

The box is a rugged weatherproof enclosure that is ideal for both indoor and outdoor applications. Constructed from High-Impact, UV Resistant Polycarbonate material that provides superior durability to impacts and ease of modification while maintaining minimum weight. It is well suited for high temperature or corrosive environments. The included wall mount brackets come uninstalled and bagged with their hardware inside of the enclosure. Once the brackets are installed the enclosure can be mounted directly to any flat wall surface provided proper screws are used into secure studs. The brackets, once installed, also allow you to use our TEF-PMT pole mount kits. The clear lid features a non-metallic hinge system that allows for quick removal & can be reattached just as quickly without the need for any tools. The clear lid provides an unobstructed view inside the enclosure allowing for the monitoring of installed equipment and its data readout, activity or warning lights without the need to open the lid. The enclosure comes with a pair of stainless-steel latches with padlock eyes allowing you to secure the enclosure from tampering. The enclosure comes in a Dark Gray (Pantone 422C) with a Clear Lid.

#### Mounting Plate

The aluminum mounting plate included with the TEWPC141206-EH0 features two 240 VAC Universal Euro outlets (contained in one duplex socket) and a terminal block for easy hook up to externally provided line power. The enclosure also features holes for two N-Bulkhead Lightning Protectors or Connectors, a grounding lug and cable conduit connector.

#### Heating

To help ensure trouble-free operation of electronic equipment, proper operating temperatures inside an enclosure needs to be controlled. With the built-in heater, internal temperatures can be better maintained. This model is ideal in Cold environments.

The TEWPC141206-EH0 includes a thermostat-controlled 200W heater. The heater turns on when the internal temperature drops to 40° F (4° C) ±7° and turns off at 60° F (15° C) ±5°. The heater does not require the use of any of the AC outlets, leaving them all available for your equipment. No extra room for the heater is required since it is mounted underneath the plate.

The TEF-PMT series of pole mounting kits allow the populated enclosure to be securely mounted to a variety of different size poles.

Compatible versions include TEF-PMT13, TEF-PMT16, TEF-PMT28, TEF-PMT29, TEF-PMT30, & TEF-PMT33

\*Note: Enclosure ports (Cable conduit connector and N-type holes for lightning protectors or connectors) must be properly sealed to maintain NEMA Type 4X / IP66 rating

Click the following link (or enter part number in "SEARCH" on website) to obtain additional part information including price, inventory and certifications:  
[14x12x06 Polycarbonate Weatherproof Outdoor IP66 NEMA 4X Enclosure, 240 VAC Universal Outlet MNT PLT, MECH Therm Heat Clear Lid DKG Y TEWPC141206-EH0](#)

14x12x06 Polycarbonate Weatherproof Outdoor IP66 NEMA 4X Enclosure,  
240 VAC Universal Outlet MNT PLT, MECH Therm Heat Clear Lid DKG Y



## TEWPC141206-EH0

\*\*Note: If all four of the optional lid screws are installed the enclosure can achieve NEMA 6P / IP68 however all of the openings would have to be properly sealed with an IP68 rated plug, gland or coupler.

### Size

Outer Height	14.6 in	[370.84 mm]
Outer Width	12.6 in	[320.04 mm]
Outer Depth	7.4 in	[187.96 mm]
Inner Height	13.7 in	[347.98 mm]
Inner Width	11.7 in	[297.18 mm]
Inner Depth	5.9 in	[149.86 mm]
Weight	9.8 lbs	[4.45 kg]
Enclosure Material	Polycarbonate	

### Environmental Specifications

Temperature Rating	-40° to 265° F [-40° to 129° C]
NEMA Rating	4X
Ingress Protection (IP) Rating	IP66

### Compliance Certifications

UL Listed	No
-----------	----

Transtector Systems specializes in protection of highly sensitive, low voltage equipment through its patented, non-degrading silicon diode technology and custom filters. Our power quality expertise translates into a diverse product offering including AC, DC, and signal applications as well as integrated cabinets, power distribution panels and EMP hardened devices.

Click the following link (or enter part number in "SEARCH" on website) to obtain additional part information including price, inventory and certifications: [14x12x06 Polycarbonate Weatherproof Outdoor IP66 NEMA 4X Enclosure, 240 VAC Universal Outlet MNT PLT, MECH Therm Heat Clear Lid DKG Y TEWPC141206-EH0](https://www.transtector.com/14x12x06-polycarbonate-weatherproof-outdoor-ip66-nema-4x-tewpc141206-eh0-p.aspx)

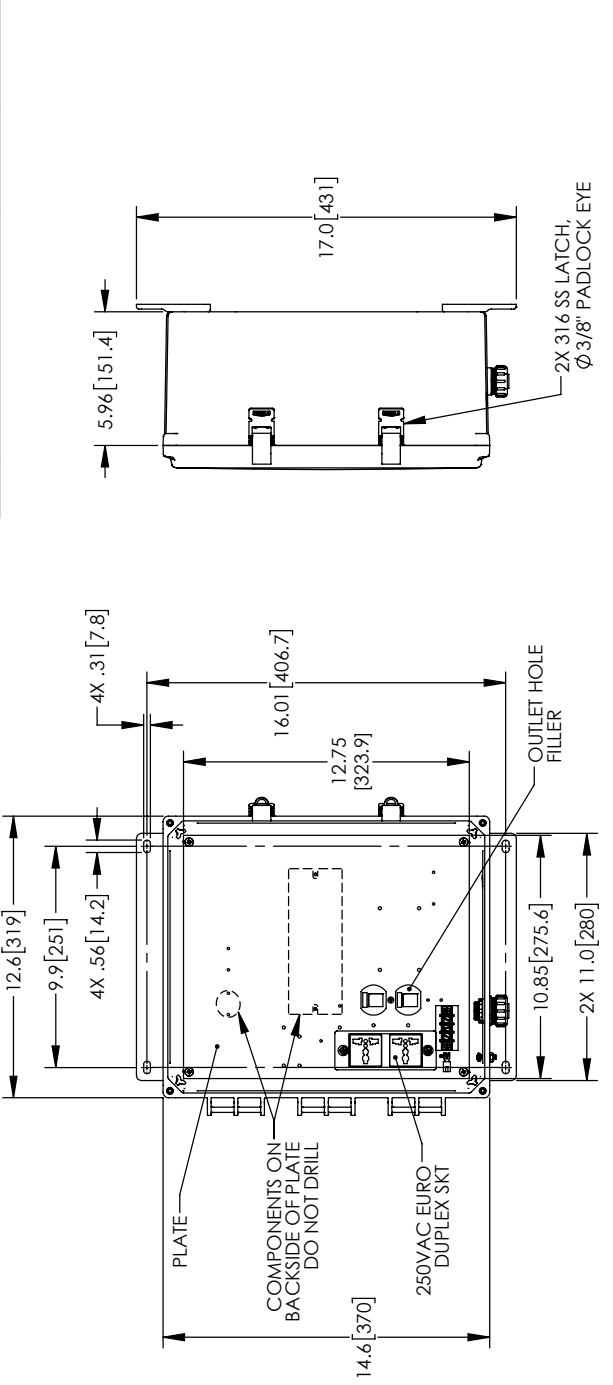
URL: <https://www.transtector.com/14x12x06-polycarbonate-weatherproof-outdoor-ip66-nema-4x-tewpc141206-eh0-p.aspx>

The information contained in this document is accurate to the best of our knowledge and representative of the part described herein. It may be necessary to make modifications to the part and/or the documentation of the part, in order to implement improvements. Transtector reserves the right to make such changes as required. Unless otherwise stated, all specifications are nominal. Transtector does not make any representation or warranty regarding the suitability of the part described herein for any particular purpose, and Transtector does not assume any liability arising out of the use of any part or documentation.

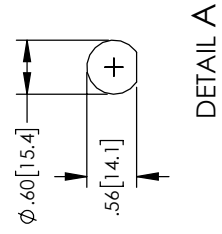
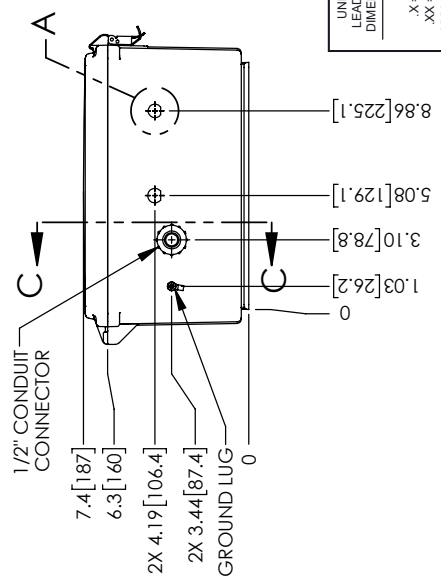
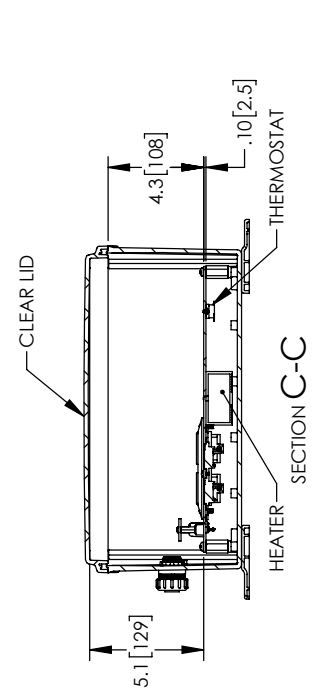
14x12x06 Polycarbonate Weatherproof Outdoor IP66 NEMA 4X Enclosure,  
240 VAC Universal Outlet MNT PLT, MECH Therm Heat Clear Lid DKG Y

**TEWPC141206-EH0 CAD Drawing**

REVISIONS			
REV.	DESCRIPTION	DATE	APPROVED
A	INITIAL RELEASE	06/19/2020	MMARTINEZ



LID NOT SHOWN IN THIS VIEW FOR CLARITY



THIRD-ANGLE PROJECTION

THE INFORMATION AND DRAWING IS THE PROPERTY OF TRANSTECTOR, INC. ALL RIGHTS RESERVED.

SHEET 1 OF 1

SCALE N/A

REV A

ITEM NO. TEWPC141206-EH0

CAGE CODE DRAWN BY 30992 DZINN

SIZE A

UNLESS OTHERWISE SPECIFIED LEADING DIMENSIONS ARE IN INCHES DIMENSIONS IN [ ] ARE MILLIMETERS

TOLERANCES:

X = ±.2 [5.08] FRACTIONS ±.02 [ .51] ±.1 [32] ANGLES ±1°

XXX = ±.005 [ .13 ] CABLE LENGTH (L) TOLERANCES:

L ≤ 12 [305] = +1 [25] / -0

12 [305] < L ≤ 60 [1524] = +2 [51] / -0

60 [1524] < L ≤ 120 [3048] = +4 [102] / -0

120 [3048] < L ≤ 300 [7620] = +6 [152] / -0

300 [7620] < L = +5% / -0

ALL DIMENSIONS SHOWN ARE FOR REFERENCE ONLY.

TRANSTECTOR an INFINIT brand

10701 Airport Road, Hayden, ID 83835

Phone: 1.208.635.6400 | 1.800.882.9110

Fax: 1.208.955.2041

Website: www.transctor.com

E-mail: sales@transctor.com

THESE COMMODITIES, TECHNOLOGY OR SOFTWARE WERE EXPORTED FROM THE UNITED STATES IN ACCORDANCE WITH THE EXPORT ADMINISTRATION REGULATIONS. DIVERSION CONTRARY TO U.S. LAW PROHIBITED.