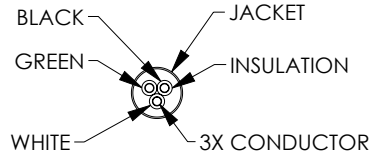
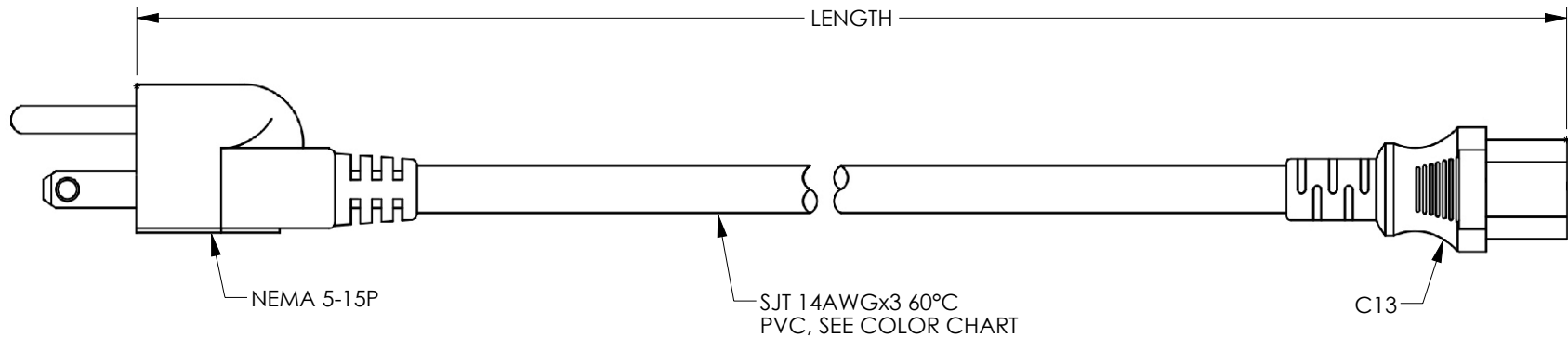


THE INFORMATION CONTAINED IN THIS DRAWING IS THE SOLE PROPERTY OF TRANSTECTOR, INC.. ANY REPRODUCTION IN PART OR WHOLE WITHOUT THE WRITTEN PERMISSION OF TRANSTECTOR, INC. IS PROHIBITED.

| REVISION | | | | | |
|----------|-----|-----------------|------------|------------|------------|
| ZONE | REV | DESCRIPTION | DATE | CHANGED BY | APPROVED |
| | A | INITIAL RELEASE | 04/19/2023 | KGLEBOVA | GUTTADAURO |



| LENGTH FEET [METER] | BLACK | BLUE | GREEN | RED |
|------------------------|--------------|----------------|----------------|----------------|
| 1.0 [.30] | TTA00011-01F | TTA00011BL-01F | TTA00011GN-01F | TTA00011RD-01F |
| 2.0 [.61] | TTA00011-02F | TTA00011BL-02F | TTA00011GN-02F | TTA00011RD-02F |
| 3.0 [.91] | TTA00011-03F | TTA00011BL-03F | TTA00011GN-03F | TTA00011RD-03F |
| 6.0 [1.83] | TTA00011-06F | TTA00011BL-06F | TTA00011GN-06F | TTA00011RD-06F |
| 8.0 [2.44] | TTA00011-08F | TTA00011BL-08F | TTA00011GN-08F | TTA00011RD-08F |
| 15.0 [4.57] | TTA00011-15F | - | TTA00011GN-15F | TTA00011RD-15F |
| 25.0 [7.62] | TTA00011-25F | - | - | - |

NOTES:

- VOLTAGE RATING: AC \geq 1500V/S
- CONNECTOR MALE POWER RATING: NEMA 5-15P UL-E257089
- CONNECTOR C13 POWER RATING: 15A UL-E257089
- CABLE: SJT 14AWGx3, 300V, 60°C VW-1 E313867 FT1
- CABLE ASSEMBLY SHALL BE INDIVIDUALLY PACKAGED.

| | | | | |
|---|---|--|--|------------------|
| UNLESS OTHERWISE SPECIFIED, DIMENSIONS ARE IN INCHES [mm] OVERALL CABLE LENGTH TOLERANCE: ≤12 [305] = +1 [25] / -0 >12 [305] ≤60 [1524] = +2 [51] / -0 >60 [1524] ≤120 [3048] = +4 [102] / -0 >120 [3048] ≤300 [7620] = +6 [152] / -0 >300 [7620] = +5% / -0 ALL OTHER DIMENSIONAL TOLERANCES: .X = ± .2 [5] FRACTIONS ± 1/32 .XX = ± .02 [5] ANGLES ± 1° .XXX = ± .005 [13] | APPROVALS DRAWN BY KGLEBOVA CHECKED BY DFRISIELLO APPROVED BY GUTTADAURO | DATE 04/05/2023 04/07/2023 04/11/2023 | an INFINIT® brand 10701 Airport Road, Hayden, ID 83835 Phone: 1.208.635.6400 Fax: 1.208.955.2041 | |
| | CONFIGURATION DETAILS OF UNDIMENSIONED FEATURES MAY VARY COLOR VARIATIONS MAY OCCUR | CATEGORY POWER PRODUCTS PRODUCT DESCRIPTION UNIVERSAL CPU POWER CORD - NEMA 5-15P TO C13 - 15Amp | | |
| THIRD-ANGLE PROJECTION | SIZE A | CAGE CODE 30992 | ITEM NO. TTA00011-XXX | REV. A |
| SCALE: NONE | | CAD FILE: tta00011-xxx.SLDDRW | | SHEET 1 OF 1 |