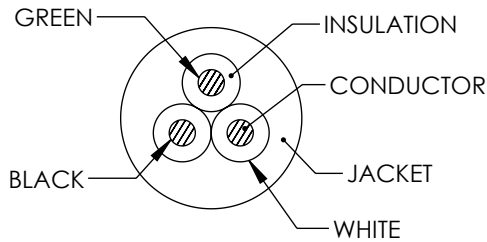
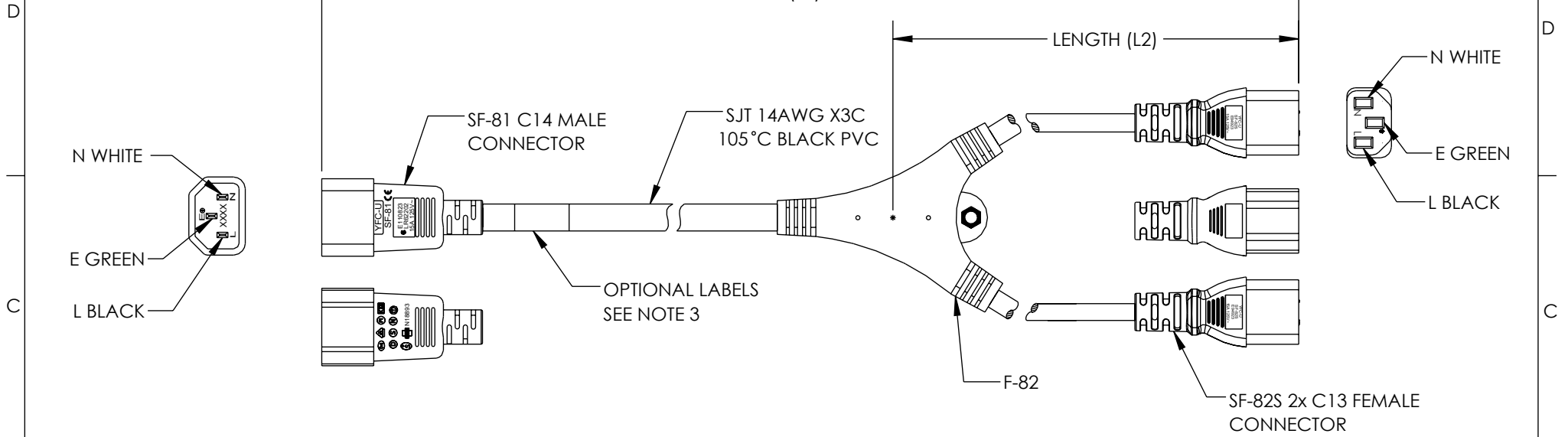



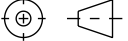
THE INFORMATION CONTAINED IN THIS DRAWING IS THE SOLE PROPERTY OF TRANSTECTOR, INC.. ANY REPRODUCTION IN PART OR WHOLE WITHOUT THE WRITTEN PERMISSION OF TRANSTECTOR, INC. IS PROHIBITED.

REVISION					
ZONE	REV	DESCRIPTION	DATE	CHANGED BY	APPROVED
	A	INITIAL RELEASE	04/19/2023	KGLEBOVA	GUTTADAURO



ITEM NUMBER	LENGTH (L1) INCHES [MM]	LENGTH (L2) INCHES [MM]
TTA00040-2F	24.0 ± 0.4 [610 ± 10.0]	9.0 ± 0.4 [228 ± 10.0]
TTA00040-3F	36.0 ± 0.4 [915 ± 10.0]	9.0 ± 0.4 [228 ± 10.0]
TTA00040-4F	48.0 ± 0.8 [1220 ± 20.0]	9.0 ± 0.4 [228 ± 10.0]
TTA00040-6F	72.0 ± 0.8 [1830 ± 20.0]	24.0 ± 0.4 [609 ± 10.0]

- NOTES:
- VOLTAGE RATING:
DIELECTRIC VOLTAGE WITHSTAND TEST: 1500V / 1 Sec
CONDUCTOR RESISTANCE ≤ 8.88Ω/1000M
VOLTAGE RATING AC 300V
 - CABLE MARKING :
(UL) E135710-F5 SJT 3×14AWG 105°C 300V VW-1
c(UL)SJT 3×2.08 mm² (14AWG) 105°C 300V FT2
 - OPTIONAL LABELS:
OPTIONAL LABEL(S) MAY INCLUDE
UL, CURRENT AND/OR WARNING
 - CABLE ASSEMBLY SHALL BE INDIVIDUALLY PACKAGED.

UNLESS OTHERWISE SPECIFIED, DIMENSIONS ARE IN INCHES [mm]	APPROVALS	DATE	 10701 Airport Road, Hayden, ID 83835 Phone: 1.208.635.6400 Fax: 1.208.955.2041
	DRAWN BY KGLEBOVA	04/06/2023	
OVERALL CABLE LENGTH TOLERANCE: ≤12 [305] = +1 [25] / -0 >12 [305] ≤60 [1524] = +2 [51] / -0 >60 [1524] ≤120 [3048] = +4 [102] / -0 >120 [3048] ≤300 [7620] = +6 [152] / -0 >300 [7620] = +5% / -0	CHECKED BY DFRISIELLO	04/10/2023	CATEGORY POWER PRODUCTS
	APPROVED BY GUTTADAURO	04/12/2023	
ALL OTHER DIMENSIONAL TOLERANCES: .X = ± .2 [5] FRACTIONS ± 1/32 .XX = ± .02 [.5] ANGLES ± 1° .XXX = ± .005 [.13]	CONFIGURATION DETAILS OF UNDIMENSIONED FEATURES MAY VARY	PRODUCT DESCRIPTION C14 - 2C13 SPLIT POWER CORD, 10A, 250V	
THIRD-ANGLE PROJECTION 	COLOR VARIATIONS MAY OCCUR	SIZE A	CAGE CODE 30992 ITEM NO. TTA00040-XX
		SCALE: NONE	CAD FILE: TTA00040-XX.SLDDRW SHEET 1 OF 1