

# ALPU SERIES Installation Instructions

1. **IMPORTANT SAFETY AND INSTRUCTIONS!** This device should only be installed by qualified personnel.
2. Read and understand all instructions before installing this product. Save these instructions for future reference.
3. **!SAVE THESE INSTRUCTIONS!**



Thank you for purchasing a surge suppression product from Transtector, the industry leader.

For questions or comments, please contact us at 800.882.9110 or visit our website at [www.transtector.com](http://www.transtector.com).

## INSTALLATION NOTES

1. The ALPU SERIES is intended to be installed indoors or outdoors, on wall or pole mount applications. The unit features mounting feet on the sides that mount on 4" center-to-center holes with #10 sized hardware. The mount foot also adapts to 4" diameter pole mounting kits with a 4.5" center-to-center holes and larger hardware. Refer to figure 1 for mechanical requirements and connector locations. The optimum ground connection on the metal enclosure unit at the mounting flange on either side is shown in Figure 1. Use ground wire provided. Trim length as short as possible. Communication cables with the RJ45 connectors already installed can feed directly into the enclosure. Be sure to install the cables with the unprotected cable installed into the left "in" jack and the protected equipment cable in the right "out" jack. The enclosure features a built in cable retention that grips the cable with a screw down bracket. A pole mount adapter kit (pn 1000-1164) is provided to meet installations on a wide range of pole diameters from 2" metal fence poles to 10" diameter utility poles.

**ALPU-POE-06 = 06VDC**  
**ALPU-POE-60 = 60VDC**  
**ALPU-POE-90 = 90VDC**  
**ALPU-PTP-M = 90VDC**

2. Mount the device as close to the equipment to be protected as possible using the provided hardware. Mount the unit in the orientation shown, with the strain reliefs facing the ground.

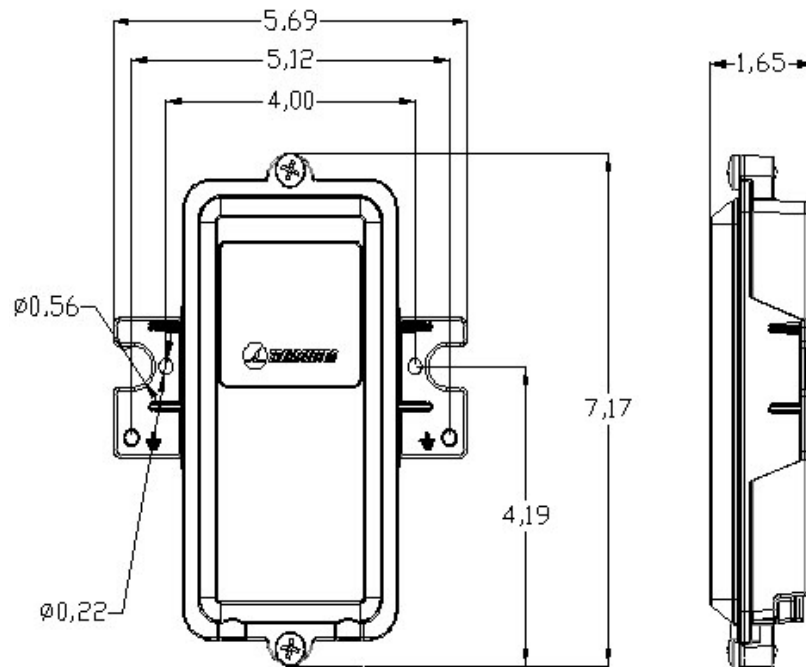


Figure 1. Mechanical outline drawing (inches)

#### INSTALLATION INSTRUCTIONS (WALL MOUNT)

1. Remove the cover by removing the screw on the front of the unit.
2. Mount the unit to an outside surface using the two mounting holes shown in figure 1.
3. Connect the Ethernet cable between the indoor unit and the suppressor using the RJ45 jack.
4. Connect one Ethernet cable between the outdoor unit and the suppressor using an RJ45 jack.
5. Attach ground wire provided (less than 3 feet) between the unit and the site grounding point. Refer to local codes and equipment manufacturer standards before installation.
6. Replace cover.

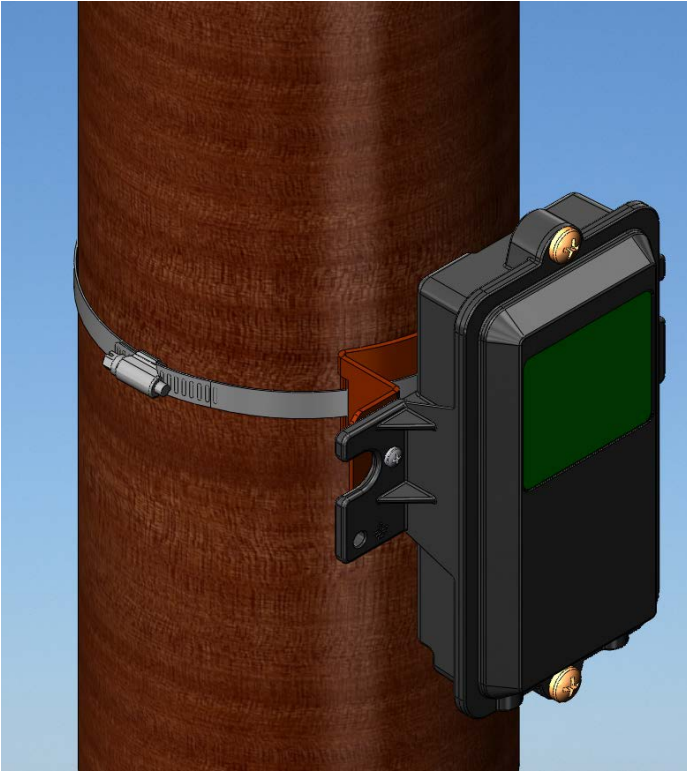


Figure 2. Unit mounted to pole

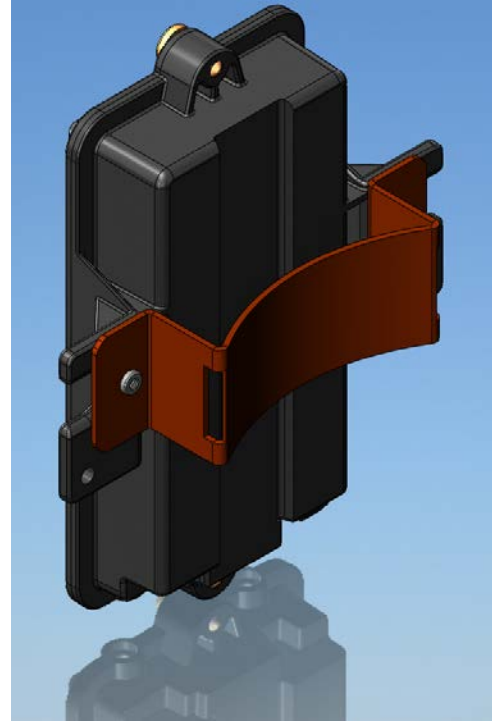


Figure 3. Unit with bracket

#### **INSTALLATION INSTRUCTIONS (POLE MOUNT)**

1. Attach bracket to unit (as shown in Figure 3) using hardware included with protector. Attach to bracket with torque 15-20 lbf-in.
2. Insert the clamp through the bracket slots.
3. Place clamp around pole and engage the gear with the end tab (as shown in Figure 2).
4. Screw the gear to begin tightening the clamp securely and torque to 30 lbf-in.
5. Remove the cover by removing the screw on the front of the unit.
6. Connect the Ethernet cable between the indoor unit and the suppressor using the RJ45 jack.
7. Connect one Ethernet cable between the outdoor unit and the suppressor using an RJ45 jack.
8. Attach ground wire provided (less than 3 feet) between the unit and the site grounding point. Refer to local codes and equipment manufacturer standards before installation.
9. Replace cover.