

POWER DISTRIBUTION

# MiniCab Series

Integrated Surge Protection

**Verizon Approved**  
 Peoplesoft Number MA/AGR: MA005190-2013

The MiniCab Series is a Verizon PeopleSoft approved AC distribution box for communication equipment. It offers a safe electrical power load center wiring panel with integrated lightning protection for sensitive radios. Designed to support DAS, small cell radio and applications requiring a reliable and compact power distribution solution.

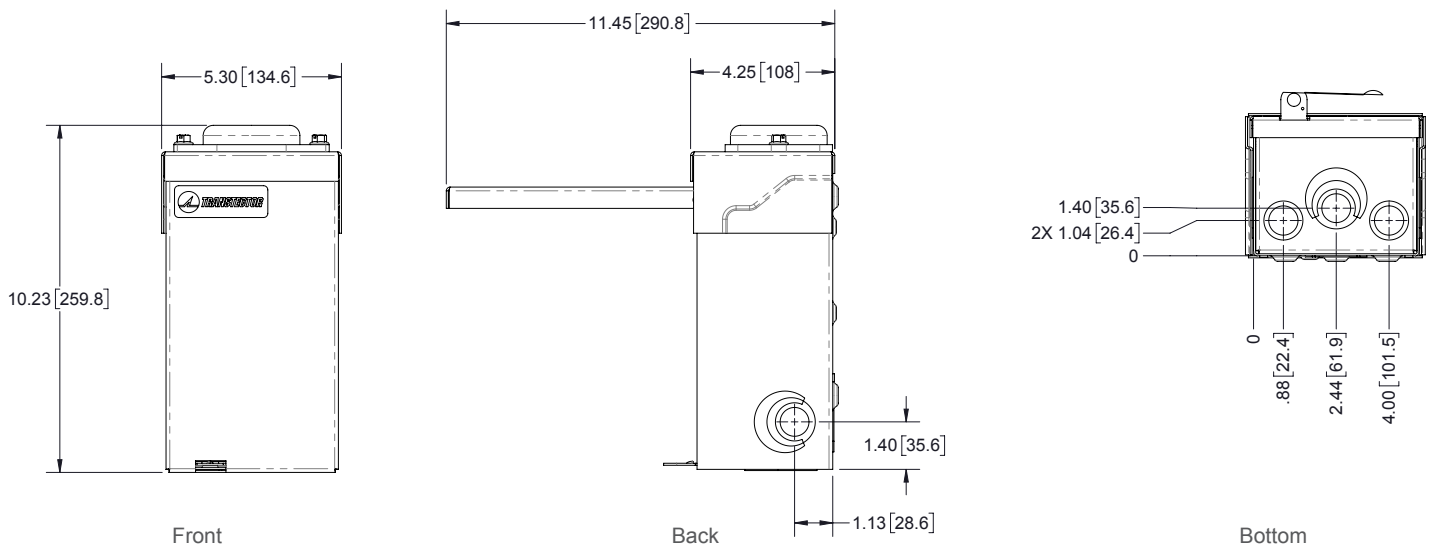
## Features

- Verizon PeopleSoft approved
- Compact footprint to reduce public visibility
- UL listed to meet local electrical codes
  - UL 67 listed for service entrance applications
- Integrated power feed and surge protection device
- NEMA 3R enclosure
- Configurable options
- Indoor and outdoor installations
- Flexibility for pole, wall and H-frame mounting



- 1 NEMA 3R Enclosure
- 2 I2R Surge Protection
- 3 Tandem Breakers
- 4 Neutral Bus bar
- 5 Bonding Kit
- 6 Grounding Location
- 7 Single Pole Breaker

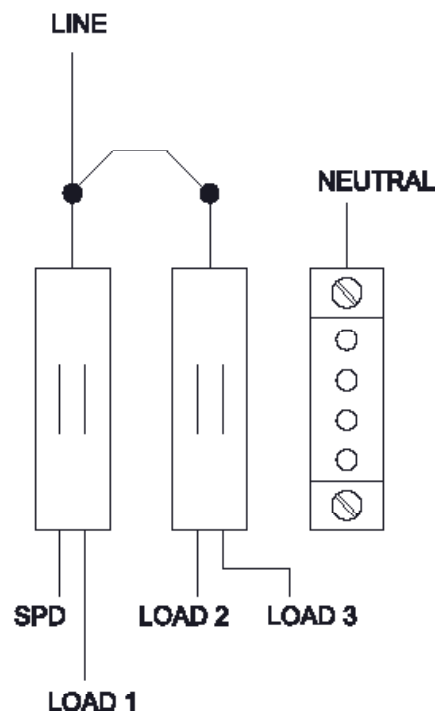
## Technical Drawing



## Specifications

Verizon PeopleSoft Approved	Vendor Part Number 1101-1128-215
Breaker Configuration	3 Available 15A Breakers
Location	Indoor/Outdoor
Application	Small Cell, DAS
Service Options	120 Vac
Short Circuit Current Rating	10 kAIC
Phase	Single
Surge Protection Device (SPD)	Transtector I2R IEP
Monitoring	Status Indicator
Material	Aluminium
Finish	Tin Plated
Mount	Pole, Wall or H-Frame
Standards	NEMA 3R, NEC, UL 67, UL 1449 4th Edition, IEEE C62-41
Dimensions (H x W x D)	10.2" x 5.3" x 4.3"
Weight	6 lbs

## Typical Wiring Diagrams



3 Breaker Configuration

## Ordering Information

For further information on custom configurations or to schedule a product demonstration of Transtector Systems Small Cell cabinet offering, contact us at 1.800.882.9110, 1.208.772.8515 or online at [www.transtector.com](http://www.transtector.com).