

Installation Instruction CB SERIES



an INFINIT[®] company

Warning

1. IMPORTANT SAFETY AND INSTRUCTIONS

2. Read and understand all instructions before installing this product. Save these instructions for future reference.

Thank you for your recent purchase of our surge protection solution. Your satisfaction with our product and service is important to us. If you have any questions, comments or concerns, please contact us at 800.882.9110 or visit our website at www.transtector.com. We look forward to continuing to serve your protection needs.

Installation Instructions

CB SERIES

1. This product is intended to protect DC power bus circuits. Be sure that the surge suppressor is installed on the correct DC power bus voltage service. Be sure to disconnect all power before installation.
2. The unit must be installed in parallel across the DC power bus, from the "live" polarity to "return". Refer to the schematic diagram 1 for the typical electrical layout.
3. As shown in Diagram 2, the unit can be installed directly into a 1A, 'BULLET' style connected DC bus "live" side, but be sure to connect the second suppressor electrode to the "return" of the DC power system.
4. The bullet terminals can be removed to reveal #10-32 studs to allow direct, hardwire mounted using ring lugs or related type hardware connections to the "live" and "return" DC power. Refer to figure 2 for mechanical dimensions.
5. The CB module can be panel mounted using the #6-32 inserts (or M3 inserts for metric units) on the front of the unit. Refer to figure 2 for mechanical dimensions.
6. The unit is provided with LED's on the front face to show that the power is applied and the suppressor is operational. In the event of power failure or suppressor failure, a set of dry contacts will change state to allow for remote monitoring and annunciation. The contacts positions are identified on the side of the CB product.

APPLICATION SCHEMATIC
BREAKER DIAGRAM 1

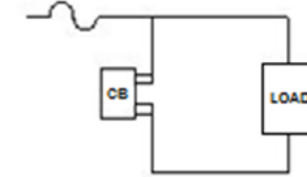
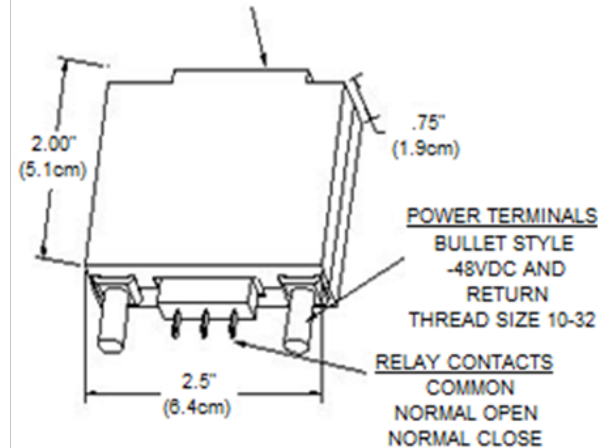


DIAGRAM 2
STATUS LED
OFF- POWER NOT APPLIED
OPEN-SUPPRESSOR OPERATIONAL
RED-FAULT / APPLIED



PANEL MOUNTING

