

# Installation Instructions

## TSJ 10/100BT



an INFINIT<sup>®</sup> company

800.882.9110 | 208.772.8515 | [www.transtector.com](http://www.transtector.com)

## Warning

1. IMPORTANT SAFETY INSTRUCTIONS
2. Read and understand all instructions.
3. SAVE THESE INSTRUCTIONS

Thank you for your recent purchase of our surge protection solution. Your satisfaction with our product and service is important to us. If you have any questions, comments or concerns, please contact us at 800.882.9110 or visit our website at [www.transtector.com](http://www.transtector.com). We look forward to continuing to serve your protection needs.

# Installation Instructions

## TSJ 10/100BT

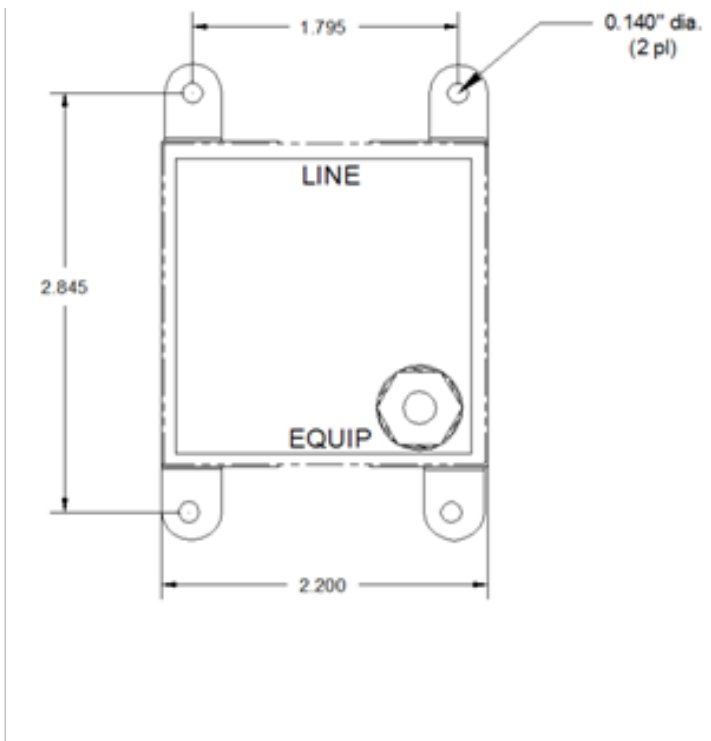
1. This product is intended for use only on data circuits with operating voltages not to exceed 12V.

### 2. Installing the TSJ 10/100BT

2.1 Mount device as close to protected equipment as possible.

2.2 Mounting, Mechanical: See diagram below. Install screws in two provided mounting ears (#4 hardware recommended).

2.3 Wiring: Insert RJ-45 plug from the data Line into the corresponding RJ-45 receptacle (LINE); insert RJ-45 plug from the



Equipment to be protected into the corresponding RJ-45 receptacle (EQUIP); connect the GND stud to the same system GND as the protected equipment using no smaller than a 14AWG wire.

Note: Trim GND lead to shortest length possible for optimum suppression.

