

# Installation Instructions

## ALPU



an INFINIT<sup>®</sup> company

800.882.9110 | 208.772.8515 | [www.transtector.com](http://www.transtector.com)

## Warning

1. Risk of electrical shock.
2. Ensure power is disconnected prior to installation.

Thank you for your recent purchase of our surge protection solution. Your satisfaction with our product and service is important to us. If you have any questions, comments or concerns, please contact us at 800.882.9110 or visit our website at [www.transtector.com](http://www.transtector.com). We look forward to continuing to serve your protection needs.

# Installation Instructions

## ALPU-POE-INJ

### INSTALLATION NOTES

1. The ALPU-PoE-INJ is intended to be installed indoors or outdoors, on wall or pole mount applications. The unit features mounting feet on the sides that mount on 4" center-to-center holes with #10 sized hardware. The mount foot also adapts to 4" diameter pole mounting kits with a 4.5" center-to-center holes and larger hardware. Refer to figure 1 for mechanical requirements and connector locations. The optimum ground connection on the metal enclosure unit at the mounting flange on either side is shown in Figure 1. Use minimum 8awg wire for a ground reference attachment. Communication cables with the RJ45 connectors already installed can feed directly into the enclosure. Be sure to install the cables with the unprotected cable installed into the left "in" jack and the protected equipment cable in the left "out" jack. The enclosure features a built in cable retention that grips the cable with a screw down bracket. A pole mount adapter kit (pn 1000-1164) is available to meet installations on a wide range of pole diameters from 2" metal fence poles to 10" diameter utility poles.

2. Mount the device as close to the equipment to be protected as possible using the provided hardware. Mount the unit in the orientation shown, with the strain reliefs facing the ground.

### INSTALLATION INSTRUCTIONS

1. Remove the cover by removing the screw on the front of the unit.
2. Mount the unit to an outside surface using the two mounting holes shown in figure 1.

Note: if desired, remove knockouts for conduit

3. Connect the Ethernet cable between the indoor unit and the suppressor using the RJ45 jack.
4. Connect one Ethernet cable between the outdoor unit and the suppressor using an RJ45 jack.

Note- the suppressor is bi-directional and protects equally in both directions.

5. The ALPU incorporates a 1/4-20 ground stud. Attach appropriate wire gauge and type as short as possible (less than 3 feet) between this stud and the site grounding point. Refer to local codes and equipment manufactures standards before installation

6. Replace cover

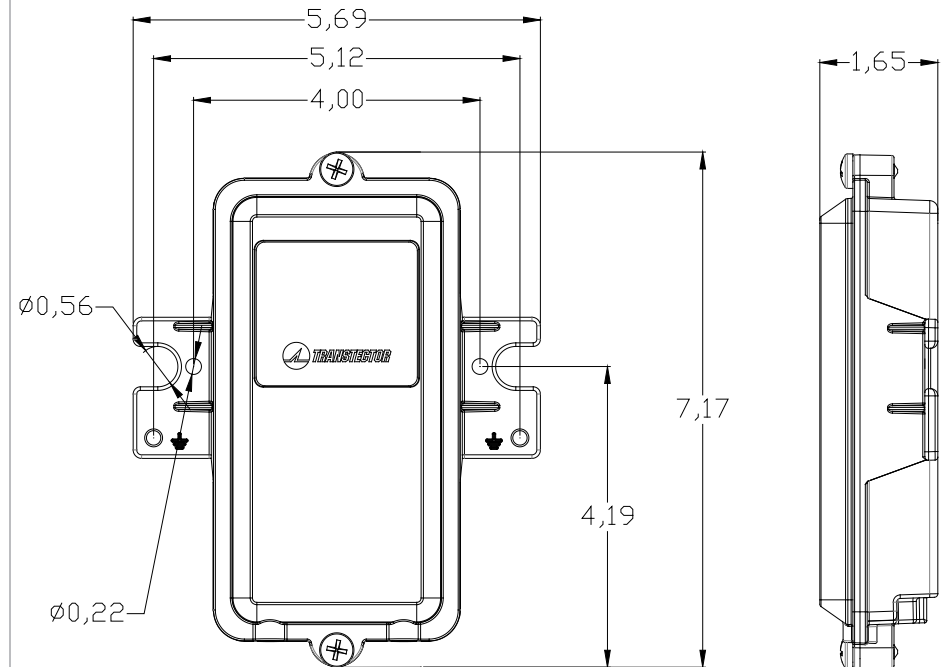


Figure 1 - Mechanical outline drawing (inches)