

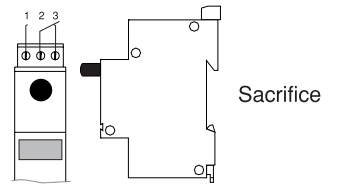
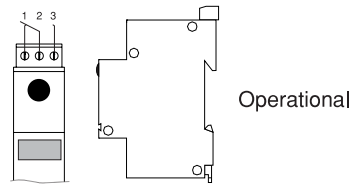
**Installation Instructions
for I²R Series Models:**

- SA480D-40
- SA120-40
- STORM 120 5kA
- STORM 120 10kA
- STORM 240 5kA
- STORM 240 10kA
- I²R ICP Series

1200-142 Rev D

an INFINITI company

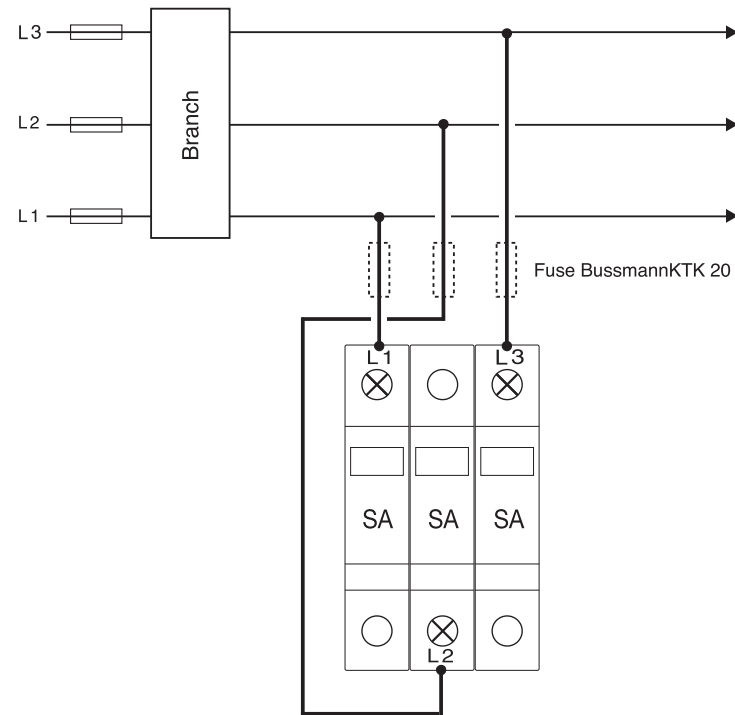
For SA & STORM Models



In the case of sacrifice, a mechanical, red signalling target will eject indicating the disruption.

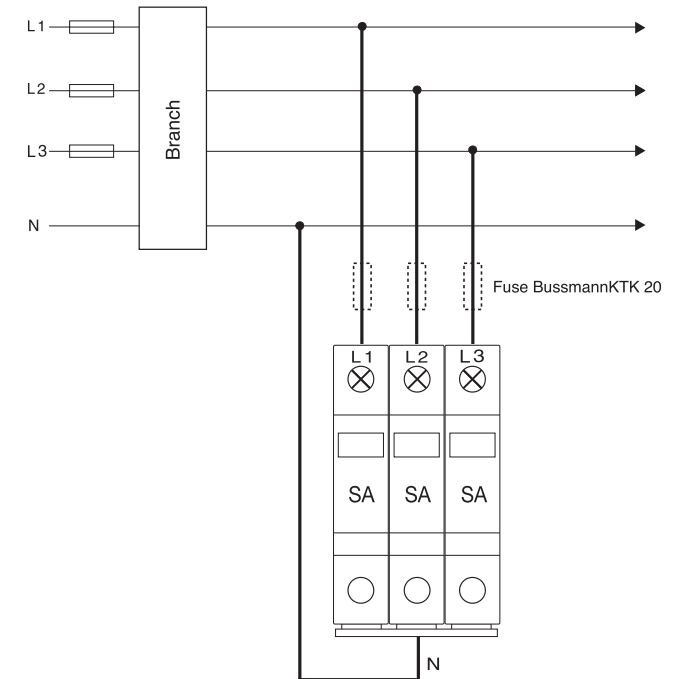
SA480D-40

480 Delta Three Phase Service



SA120-40

120/208 Wye Three Phase Service



If you encounter any difficulty in the installation of these products please contact your Transtector customer service representative toll-free at:

1.800.882.9110

or outside the US:

208.772.8515

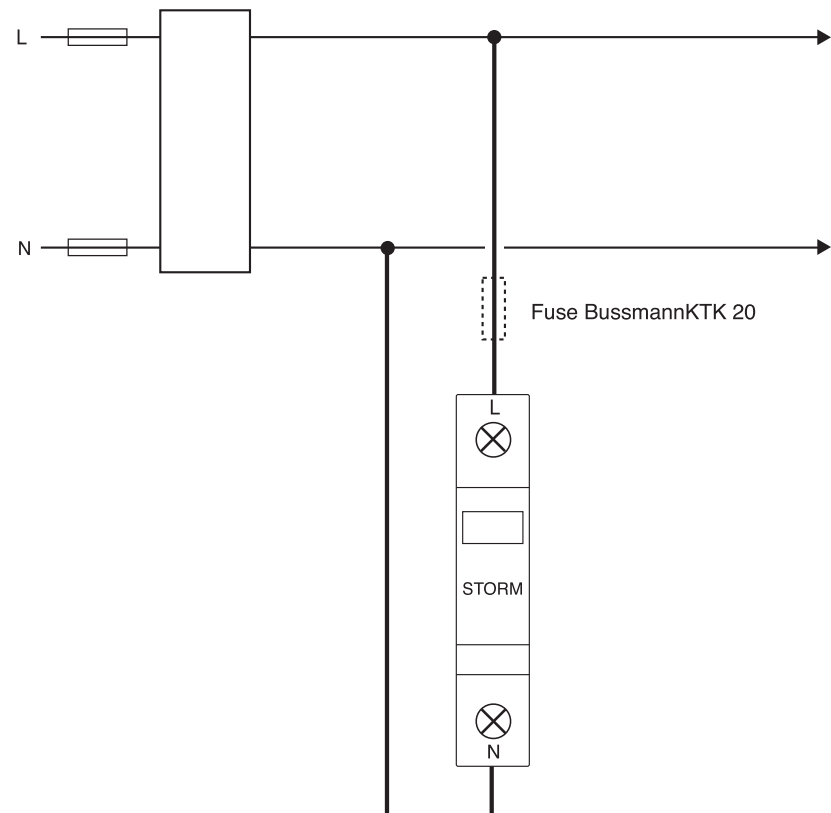
WARNING

IMPORTANT SAFETY INSTRUCTIONS!

1. This product should only be installed by trained, qualified personnel.
2. To avoid shock, always disconnect power before servicing or installing the product.
3. Use each model on specified voltage application only.
4. Unit must be installed within an enclosure.
5. SAVE THESE INSTRUCTIONS!

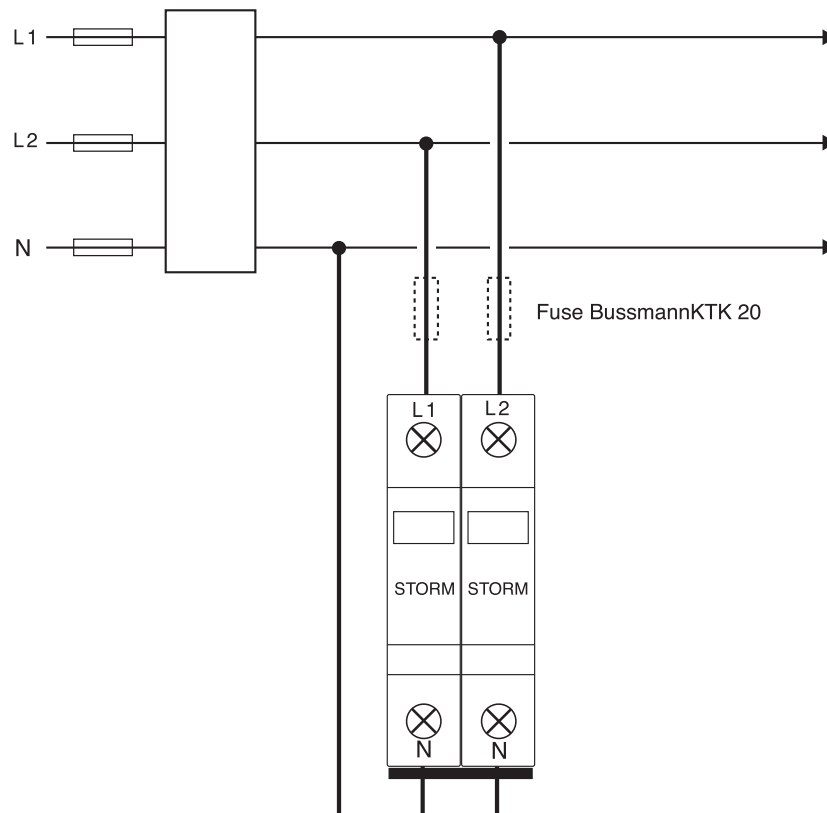
STORM 120S 5kA and 10kA

120 Single Phase Service



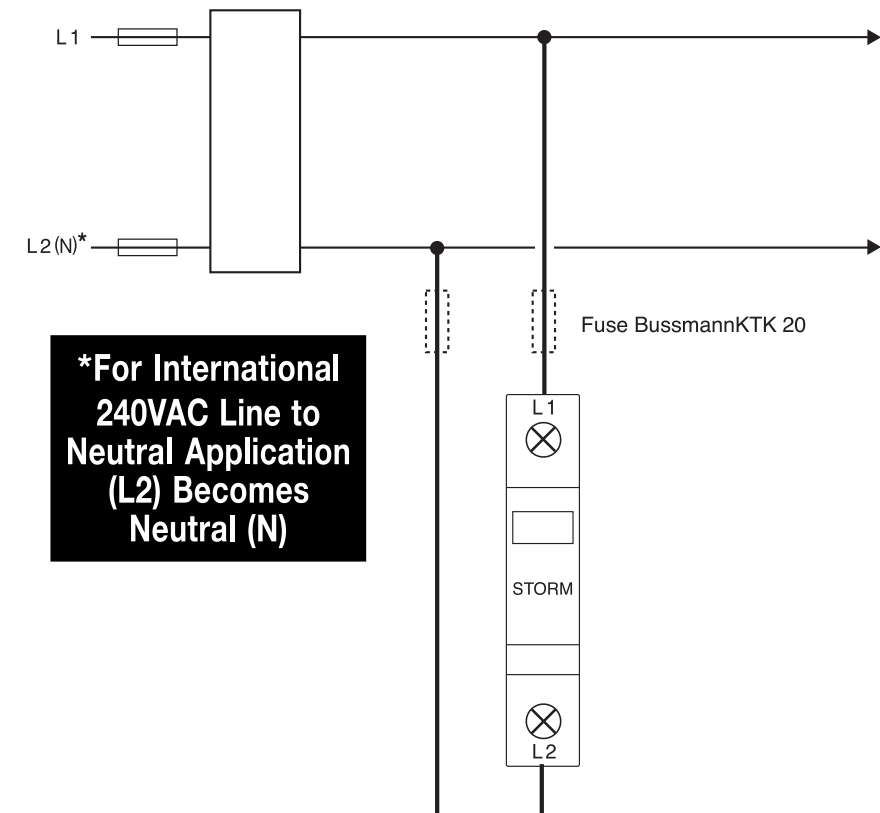
STORM 120T 5kA and 10kA

120/240 Single Phase Service



STORM 240S 5kA and 10kA

240 Single Phase Service



***For International
240VAC Line to
Neutral Application
(L2) Becomes
Neutral (N)**

I²R ICP Series

1. **Warning! Disconnect power upstream from the device when wiring to avoid potential shock hazard. Unit must be installed within an enclosure. It is recommended that a 15 or 20A current limiting fuse (i.e. Bussman KTK 15 or 20A) be installed in series with each I²R ICP.**

2. Mounting the I²R ICP Series

2.1 35 mm Din Rail Mount (see Figure 1)

2.2 Screw Mount (see Figure 1)

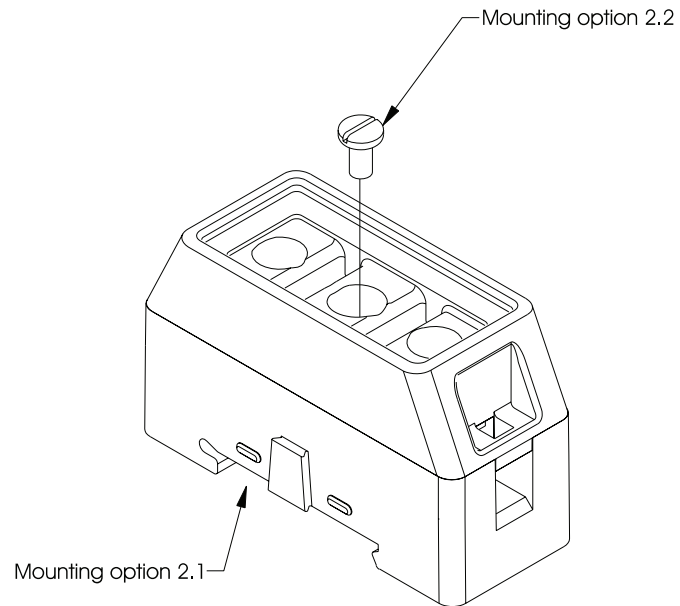
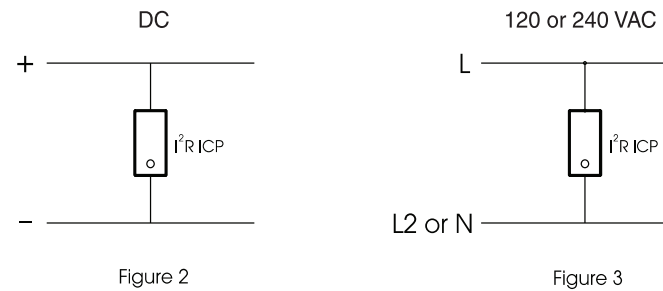


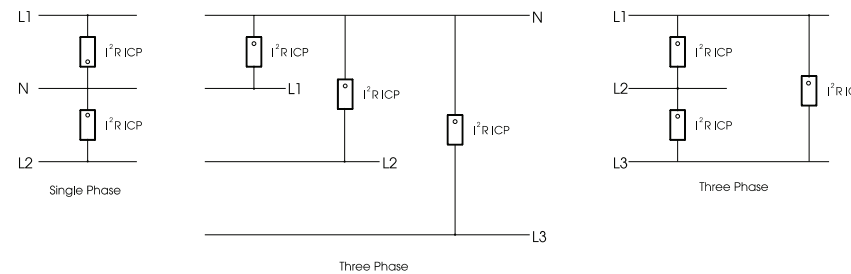
Figure 1
Base Unit

3. **Wiring the I²R ICP Series: Unplug suppressor module from base. Install 4-14 AWG into base per Figure 2 or 3 keeping leads as short as possible.**

SINGLE PHASE WIRING DIAGRAMS



MULTIPLE UNIT WIRING DIAGRAMS



4. **Insert suppressor module into base unit.**

5. **Turn power on. LED illumination indicates power is supplied and suppression is enabled.**