

Installation Instructions

DPR SHIELDED POE PROTECTOR



800.882.9110 | 208.772.8515 | www.transtector.com

Warning

1. IMPORTANT SAFETY INSTRUCTIONS.
2. Use each model on specified data application only.

Thank you for your recent purchase of our surge protection solution. Your satisfaction with our product and service is important to us. If you have any questions, comments or concerns, please contact us at 800.882.9110 or visit our website at www.transtector.com. We look forward to continuing to serve your protection needs.

Installation Instructions

DPR Shielded PoE Protector

1. These products are intended for use only as a secondary protector on data circuits.

2. Mounting the DPR Protection Modules: Mount the module(s) as close to the equipment to be protected as possible.

2.1. DIN Rail Mounting: Attach the mounting clip to the DPR protection module with the provided 4-40 screw & lock washer from the accessory kit. Attach the assembled module to the 35mm DIN rail as shown in Fig. 2.1. To detach the module from the DIN rail, lift up on the lever as illustrated in Fig. 2.2.

2.2. Rack Mounting: First, mount the DPR rack kit to a standard equipment rack using 10-32 screws. Attach the DPR protection module to the rack with the provided 4-40 screw & lock washer from the accessory kit as shown in Fig 2.3.

2.3. Wall Mounting: Rotate the mounting clip on the DPR protection module to expose the auxiliary mounting hole. Attach the DPR protection module to the desired surface using the auxiliary mounting hole and a #8 screw as shown in Fig 2.4. Please note that the mounting surface must provide a path to ground through the mounting clip.

3. Wiring the DPR Shielded PoE Protector:

3.1. Connect the DIN rail mounted DPR protection module to a nearby grounded location using the shortest wire length possible. Alternatively, connect the ground wire assembly on the front of the DPR rack kit to a properly grounded location on the equipment rack. Suppressor(s) must be grounded for proper operation!

3.2. Connect the corresponding incoming data lines to the connectors labeled 'LINE' on the appropriate protection modules.

3.3. Connect the outgoing data lines to the connectors labeled 'EQUIP'.

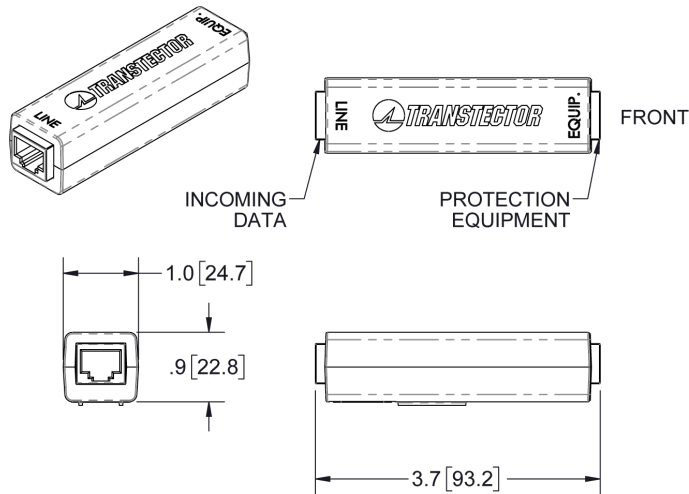


Figure 2.1

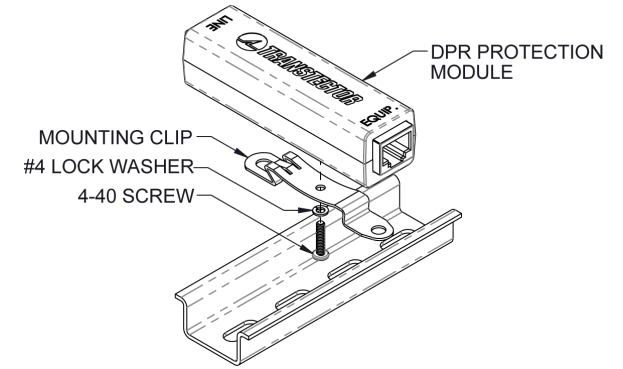


Figure 2.2

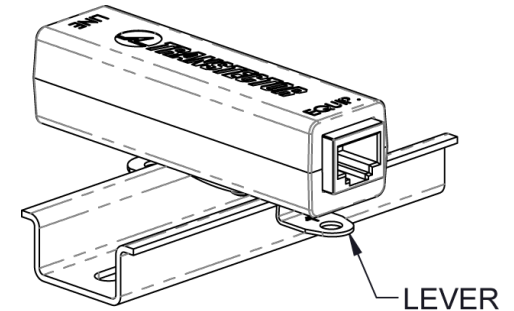


Figure 2.3

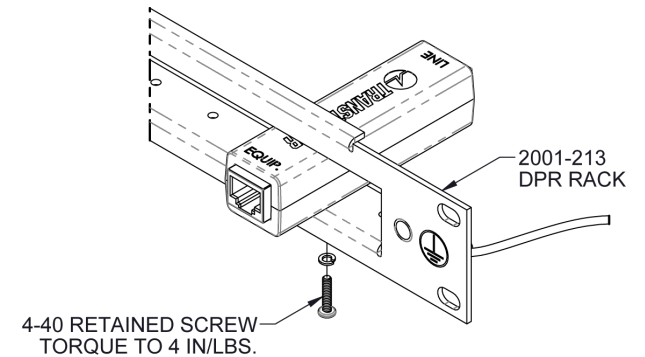


Figure 2.4