

# Installation Instructions

## Mini Macro



an INFINIT<sup>®</sup> company

## Warning

- Apply appropriate personal protective equipment (PPE) and follow safe electrical work practices. See NFPA70E.
- This equipment must only be installed and serviced by qualified electrical personnel.
- This equipment shall be located where accessible only to qualified electrical personnel.
- Turn off all power supplying this equipment before working on or inside equipment.
- Always use a properly rated voltage sensing device to confirm power is off.
- Replace all devices, doors, and covers before turning on power to this equipment.
- Failure to follow these instructions will result in death or serious injury.

Thank you for your recent purchase of our surge protection solution. Your satisfaction with our product and service is important to us. If you have any questions, comments or concerns, please contact us at 800.882.9110 or visit our website at [www.transtector.com](http://www.transtector.com). We look forward to continuing to serve your protection needs.

# Installation Instructions

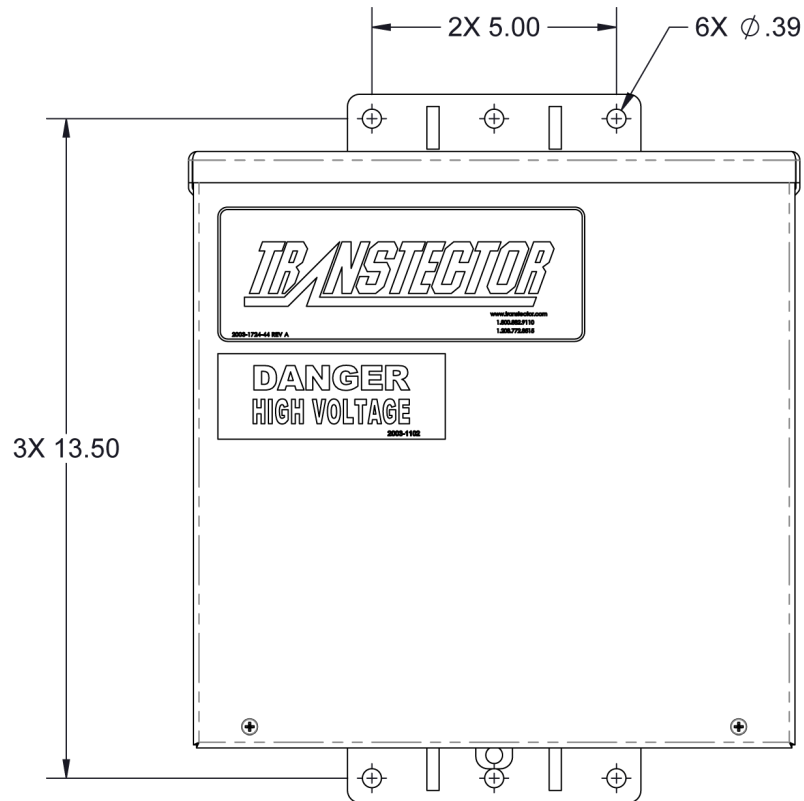
## Mini Macro - Wall Mount

To mount the Mini Macro on a H-frame or wall, you will need the following:

- Wall anchors or materials for a H-frame
- Four 3/8-inch (1 cm) mounting bolts and nuts

Perform the following steps to mount the enclosure.

1. Construct and mount the H-frame per local practices, or install appropriate wall anchors.
2. Use appropriate lifting equipment to raise the cabinet into its mounting position and keep it supported.
3. Tighten bolts securely.

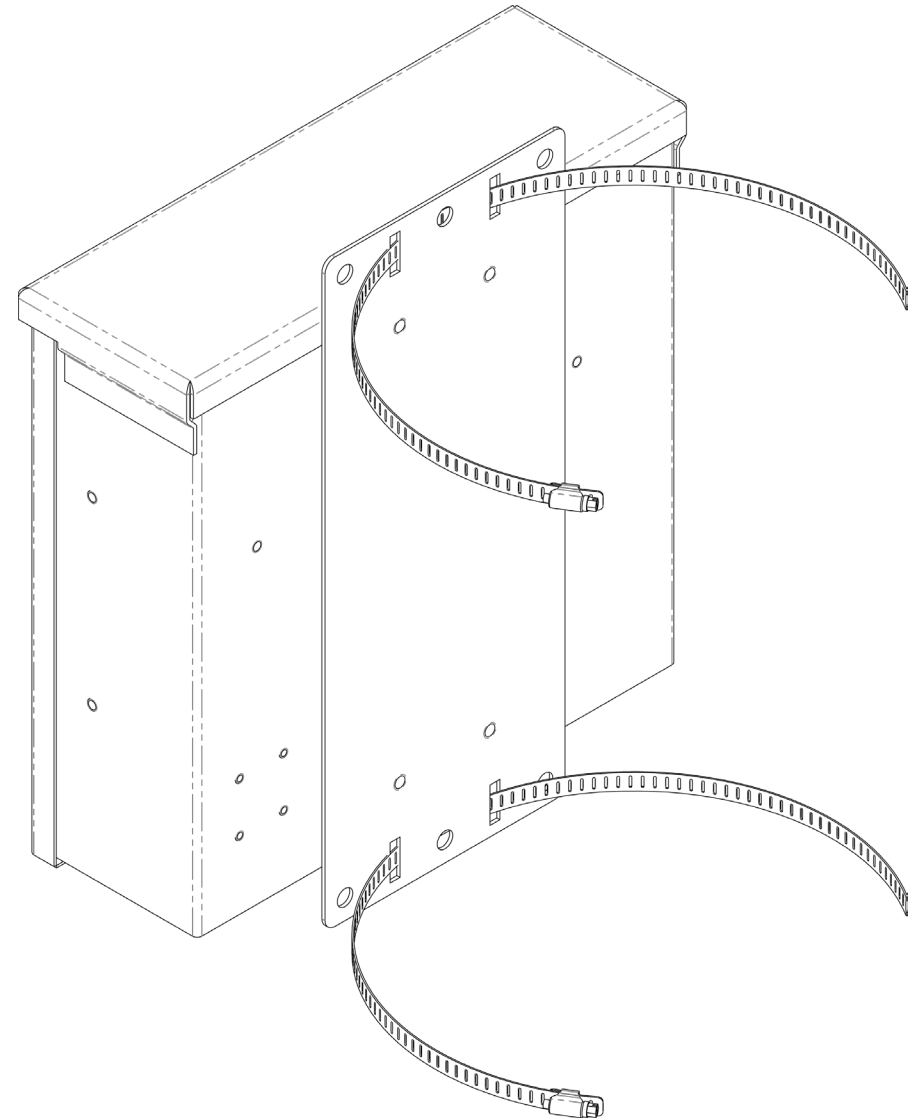


### DANGER

Each cabinet weighs approximately 17 lbs (8 kg). Ensure appropriate measures are taken to safely move cabinet to installation location. Note: Cabinets must be supported adequately at all times.

## Mini Macro - Pole Mount

1. Slide hose clamp or banding through slots on bracket.
2. Tighten per industry standard.



Alternately, on a wooden pole, the center holes on the bracket can be utilized with 3/8" hardware.