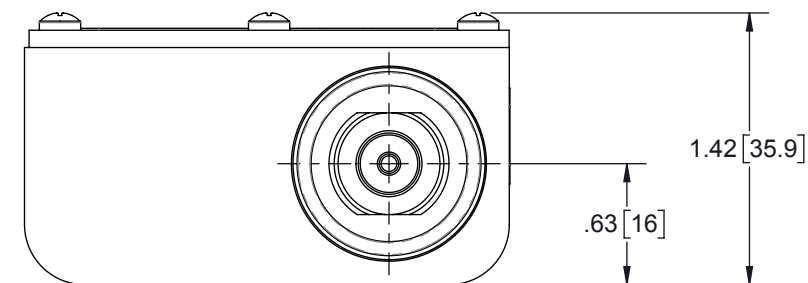
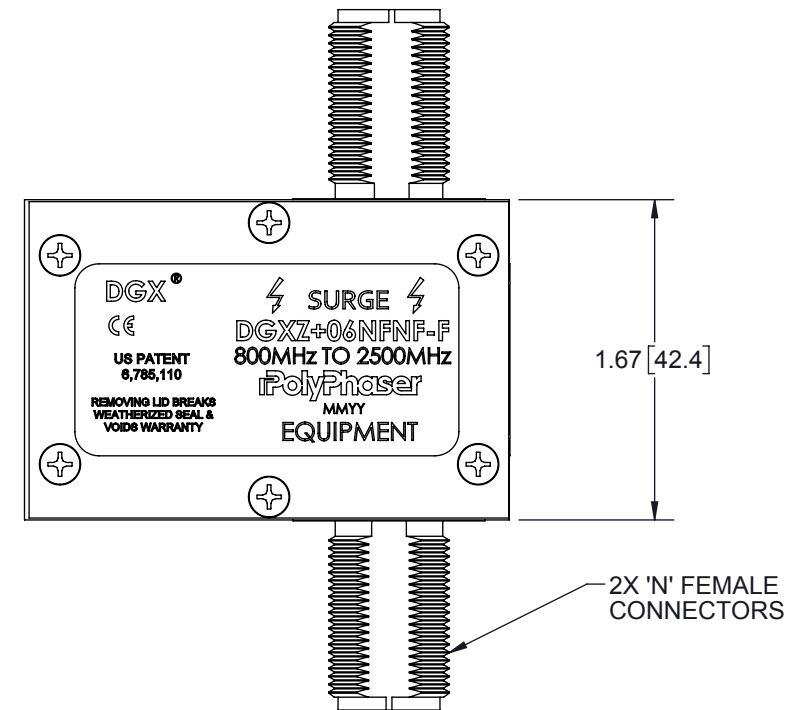
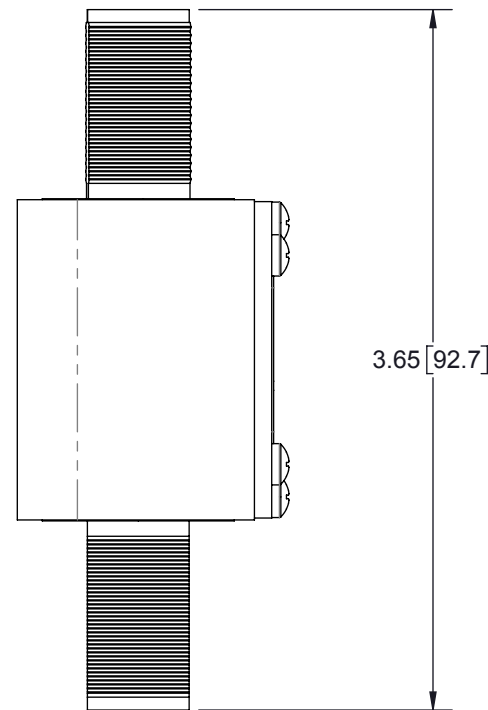


REVISIONS				
REV.	DESCRIPTION	ECN	DATE	APPROVED
D	REFER TO ECN	12749	7/29/14	KCB

HARDWARE KIT	
QTY.	DESCRIPTION
1	NUT 5/8-24 303 HEX SS
1	WASHER 5/8 410 SS
1	SILICONE O-RING 019



MAXIMUM CHARACTERISTICS

APPLICATION:
 USED WHERE DC VOLTAGE IS REQUIRED
 IDEAL FOR GPS
 WEATHERIZED, FLANGE OR BULKHEAD MOUNT

FREQUENCY RANGE:
 800MHz TO 2500MHz

VSWR:
 ≤1.1:1 OVER FREQUENCY RANGE

INSERTION LOSS:
 ≤0.1dB OVER FREQUENCY RANGE

POWER:
 300W RMS

TURN ON:
 ±6.5Vdc

TURN ON TIME:
 4ns FOR 2kV/ns

MAX. SURGE:
 20kA IEC 61000-4-5 8/20µs WAVEFORM (MULTIPLE)

THROUGHPUT ENERGY:
 ≤16µJ FOR 3kA, 8/20µs WAVEFORM

USER VOLTAGE:
 ±6.0Vdc MAX

USAGE CURRENT:
 ≤4.0A CONTINUOUS

RELATIVE HUMIDITY:
 TO 95%

ENVIRONMENTAL:
 COMPLIANT TO IEC 60950-1 SECTION 7.4.2
 MEETS IEC 60529 IP67 WHEN CONNECTED
 MEETS BELL CORE #TA-NWT-000487
 PROCEDURE 4.11, WIND DRIVEN (120MPH)
 RAIN INTRUSION TEST.

TEMPERATURE:
 -50°C TO +85°C STORAGE/OPERATING

CE COMPLIANT
RoHS COMPLIANT

CUSTOMER APPROVAL: _____ DATE: _____

ALL DIMENSIONS SHOWN ARE FOR REFERENCE ONLY.

THESE COMMODITIES, TECHNOLOGY OR SOFTWARE WERE EXPORTED FROM THE UNITED STATES IN ACCORDANCE WITH THE EXPORT ADMINISTRATION REGULATIONS. DIVERSION CONTRARY TO U.S. LAW PROHIBITED.

UNLESS OTHERWISE SPECIFIED LEADING DIMENSIONS ARE INCHES DIMENSIONS IN [] ARE MILLIMETERS	DRAWN	SCD	DATE	5/28/14		
	ENG APPD	RD	DATE	10/10/02		
	PRODUCT MGR	KCB	DATE	10/9/02		
	MARKETING APPD	SD	DATE	10/10/02		
MATERIAL	PROJECT NO.		TITLE			
THIRD-ANGLE PROJECTION	NOTICE: THE INFORMATION AND DESIGN IN THIS DOCUMENT IS THE PROPERTY OF TRANSTECTOR SYSTEMS. ALL RIGHTS RESERVED.					
TITLE			800MHz-2500MHz BROADBAND CUSTOMER SPECIFICATION			
SIZE	CAGE	PART NUMBER		REV		
B	30992	DGXZ+06NFNF-F		D		
SCALE	PROD CAT	DOCUMENT NAME		SHEET		
1:1	RFP	DGXZ+06NFNF-F-C		1 OF 1		