



AT&T FirstNet Product Ordering

Ensuring Nationwide Broadband Reliability for Public Safety

AT&T FirstNet Product Ordering Guide

Ensuring Nationwide Broadband Reliability for Public Safety

Kaelus, PolyPhaser, Transtector, and RadioWaves are considered technology leaders in developing reliable communications platforms for public safety networks. Our team of RF and Power engineers work closely with AT&T to design state-of-the-art solutions that enable secure, reliable and interoperable networks when and where they are needed most.

FirstNet RAN Solutions

RF Combiners – Kaelus same-band and multi-band low loss combiners, splitters and multiplexers are engineered for FirstNet applications

Item Master #	Kaelus Part #	Type	Description	Package	Band 1	Band 2	Band 3	DC/ASIG Path
ANT.16015	DBC0061F1V51-1	Diplexer	700 / 850 Cross-Band Combiner	Single	698-798	824-994		Any, Switched
ANT.16016	DBC0061F1V51-2	Diplexer	700 / 850 Cross-Band Combiner	Twin	698-798	824-994		Any, Switched
ANT.14194	DBC0055F1V51-1	Diplexer	698-960 / 1710-2700	Single	698-960	1710-2700		Any, Switched
ANT.14195	DBC0055F1V51-2	Diplexer	698-960 / 1710-2700	Twin	698-960	1710-2700		Any, Switched
ANT.16348	DBC0115F1V91-1	Diplexer	555-960 / 1695-2690	Single	555-960	1695-2690		Auto-Sense
ANT.16349	DBC0115F1V91-2	Diplexer	555-960 / 1695-2690	Twin	555-960	1695-2690		Auto-Sense
ANT.15352	TBC0030F2V1-1	Triplexer	700-850 1900 AWS, DC ASIG Pass Switch	Single	698-894	1850-1990	1695-1780 2100-2200	Any, Switched
ANT.15353	TBC0030F2V1-2	Triplexer	700-850 1900 AWS, DC ASIG Pass Switch	Twin	698-894	1850-1990	1695-1780 2100-2200	Any, Switched
ANT.16428	TBC0038F1V94-1	Triplexer	555-960 / 1695-2200 / 2300-2700, DC Auto-Sense	Single	555-960	1695-2200	2300-2700	Auto-Sense
ANT.16429	TBC0038F1V94-2	Triplexer	555-960 / 1695-2200 / 2300-2700, DC Auto-Sense	Twin	555-960	1695-2200	2300-2700	Auto-Sense
ANT.15345	TBC0042F1V51-1	Triplexer	700 Full and 850 (AWS PCS WCS)	Single	698-798	824-894	1695-2200	Any, Switched
ANT.15346	TBC0042F1V51-2	Triplexer	700 Full and 850 (AWS PCS WCS)	Twin	698-798	824-894	1695-2200	Any, Switched
	QBC0002F3V51-1	Quadruplexer	700 + 850 + AWS + PCS	Single	698-798	824-894	1850-1990	Any, Switched
	QBC0002F3V51-2	Quadruplexer	700 + 850 + AWS + PCS	Twin	698-798	824-894	1850-1990	Any, Switched
	QBC0007F2V51-1	Quadruplexer	700 + 850 + AWS / PCS + WCS	Single	698-793	824-894	1695-2200	Any, Switched
	QBC0007F2V51-2	Quadruplexer	700 + 850 + AWS / PCS + WCS	Twin	698-793	824-894	1695-2200	Any, Switched

Tower Mounted Amplifiers – Kaelus offers a full range of dual band TMA's for uplink balance

Item Master #	Kaelus Part #	Type	Description	Package	Active Bands	Bypass
CEQ.10906	TMA2061F1V1-1	TMA	PCS Band, Bypass	Twin	1850-1990	698-960
CEQ.12807	TMA2093F00V1-1	TMA	Dual PCS AWS Bypass	Twin	1850-1990, 1710-1770 & 2110-2170	698-960
CEQ.14295	TMA2104F00V1-1	TMA	2300 Bypass	Twin	2305-2360	698-894
CEQ.15325	TMA2116F00V1-1	TMA	Dual Band WCS AWS, 700-850 Bypass	Twin	2305-2360, 1710-1755 & 2100-2166	698-894
CEQ.15324	TMA2117F00V1-1	TMA	Dual Band WCS 1900, 700-850 Bypass	Twin	2305-2360, 850-1990	698-894
CEQ.18232	TMA2124F03V5-1D	TMA	AWS 1&3+PCS Twin Unit with Low Band Pass	Twin	1695-2200, 1850-1990	555-960
CEQ.18233	TMA2124F03V5-2D	TMA	AWS 1&3+PCS Dual Twin Unit with Low Band Pass	Dual Twin	1695-2200, 1850-1990	555-960

FirstNet RAN RF Test Solutions

Kaelus provides AT&T, as an approved vendor, with high-quality test and measurement instruments to verify FirstNet band.

Item Master #	Kaelus Part #	Type	Description	TX1 Range	TX2 Range	RX Range PIM
NEQ.15892	iPA-0707A-BD02	PIM Analyzer	700 MHz Low High, 20 W, Battery Powered, PIM Analyzer w/ Tablet	728-731.5	741-765	698-716, 776-802

Item Master #	Kaelus Part #	Type	Description	Case Type
	iVA-0627A-NC	Cable & Antenna Sweep Analyzer	600 MHz – 2700 MHz	Neoprene Soft Bag
	iVA-0627A-HC	Cable & Antenna Sweep Analyzer	600 MHz – 2700 MHz	Rugged Hard Case
	iVA-0627A-BK	Cable & Antenna Sweep Analyzer	600 MHz – 2700 MHz, Basic Accessories	Rugged Hard Case
	iVA-0627A-SK-02	Cable & Antenna Sweep Analyzer	600 MHz – 2700 MHz, Standard Accessories	Rugged Hard Case
	iVA-0627A-PK-02	Cable & Antenna Sweep Analyzer	600 MHz – 2700 MHz, Standard Accessories & Phase Stable Cable	Rugged Hard Case

FirstNet Backhaul Antenna Solutions

RadioWaves offers a broad portfolio of antennas suitable for macro and small cell backhaul in both licensed and unlicensed spectrum.

Item Master #	Radio Waves Part #	Type	Description	Polarization	Gain (dBi)
MIC.04233	SP1-5.2NS	Parabolic	1-ft. (0.3m), 5.25-5.85 GHz, with Fine Adjustments	Single	22.5
MIC.05600	SP2-2.4NS	Parabolic	2-ft. (0.6m), 2.4-2.7 GHz, with Fine Adjustments	Single	21.3
MIC.10295	SP2-2/5NS	Parabolic	2-ft. (0.6m), 2.4-2.5 & 5.725-5.85 GHz, with Radome Cover Attached	Dual	21.1 & 28.3
MIC.03901	SP2-5.2NS	Parabolic	2-ft. (0.6m), 5.25-5.85 GHz, with Fine Adjustments	Single	29
MIC.10351	SP2-5.2NS-RD	Parabolic	2-ft. (0.6m), 5.25-5.85 GHz, with Radome Cover Attached	Single	28.6
MIC.10179	SP3-5.2NS	Parabolic	3-ft. (0.9m), 5.25 - 5.85 GHz	Single	32.5
MIC.10294	SP4-2/5NS	Parabolic	4-ft. (1.2m), 2.4-2.5 & 5.725-5.85 GHz	Dual	27.0 & 34.6
MIC.03519	SP4-2.4NS	Parabolic	4-ft. (1.2m), 2.4 - 2.7 GHz	Single	27.2
MIC.10357	SP4-5.2NS	Parabolic	4-ft. (1.2m), 5.25-5.85 GHz	Single	34.9
MIC.10490	SP4-5.2NS-RD	Parabolic	4-ft. (1.2m), 5.25-5.85 GHz, with Radome Cover Attached	Single	34.5
MIC.03545	SP6-1011RS	Parabolic	6' (1.8m) SP Antenna, 10.5-11.7 GHz	Single	44
MIC.10288	SP6-5.2NS-RD	Parabolic	6-ft. (1.8m), 5.25 - 5.85 GHz, with Radome Cover Attached	Single	37.5
MIC.03544	SP6-5.9RS	Parabolic	6' (1.8m) SP Antenna, 5.925-6.425 GHz	Single	39.2
MIC.03546	SP8-5.9RS	Parabolic	8' (2.4m) SP Antenna, 5.925-6.425 GHz	Single	41.9
MIC.10011	HP2-18RS	Parabolic	2' (0.6m) HP Antenna, 17.7-19.7 GHz	Single	38.6
MIC.10338	HPD2-11RS	Parabolic	2' (0.6m) HP Antenna, 10.7-11.7 GHz	Dual	34.3
MIC.10299	HPD2-18RS	Parabolic	2' (0.6m) HP Antenna, 17.7-19.7 GHz	Dual	38.4
MIC.11138	HPD2-23RS	Parabolic	2' (0.6m) HP Antenna, 21.2-23.6 GHz	Dual	40 Mid
MIC.10360	HPD3-11RS	Parabolic	3' (0.9m) HP Antenna, 10.7-11.7 GHz	Dual	37.4
MIC.11139	HPD3-18RS	Parabolic	3' (0.9m) HP Antenna, 17.7-19.7 GHz	Dual	42.7
MIC.11191	HPD2-23RS	Parabolic	2' (0.6m) HP Antenna, 21.2-23.6 GHz	Dual	43.5 Mid
MIC.10857	HPD4-11RS	Parabolic	4' (1.2m) HP Antenna, 10.7-11.7 GHz	Dual	40.8
MIC.11140	HPD4-18RS	Parabolic	4' (1.2m) HP Antenna, 17.7-19.7 GHz	Dual	43.9
MIC.11185	HPD6-11RS	Parabolic	6' (1.8m) HP Antenna, 10.7-11.7 GHz	Dual	43.2 Mid
MIC.11186	HPD8-11RS	Parabolic	8' (2.4m) HP Antenna, 10.7-11.7 GHz	Dual	46.0 Mid
MIC.11187	HPD4-5.9RS	Parabolic	4' (1.2m) HP Antenna, 5.925-6.425 GHz	Dual	35.7 Mid
MIC.11188	HPD6-5.9RS	Parabolic	6' (1.8m) HP Antenna, 5.925-6.425 GHz	Dual	38.7 Mid
MIC.11189	HPD6-6.4RS	Parabolic	6' (1.8m) HP Antenna, 6.425-7.125 GHz	Dual	38.9 Mid
MIC.11190	HPD8-6.4RS	Parabolic	8' (2.4m) HP Antenna, 6.425-7.125 GHz	Dual	42.1 Mid
MIC.11192	HPLPD1-23RS	Parabolic	1' (0.3m) HP Antenna, Low Profile, 21.2-23.6 GHz	Dual	34.9 Mid
MIC.11193	HPLP1-38RS	Parabolic	1' (0.3m) HP Antenna, Low Profile, 37.0-40.0 GHz	Single	39.3 Mid
MIC.11194	HPCPE-80RS	Parabolic	1' (0.3m) HP Antenna, Low Profile, 71.0 - 86.0 GHz	Single	43.3 Mid
MIC.11195	HPLP2-80RS	Parabolic	2' (0.6m) HP Antenna, 71.0-86.0 GHz	Single	51.0 Mid
MIC.11196	HPD8-5.9RS	Parabolic	8' (2.4m) HP Antenna, 5.925-6.425 GHz	Dual	41.4 Mid
MIC.11179	SHPD6-5.9RS	Parabolic	6' (1.8m) SHP Antenna, 5.925-6.425 GHz	Dual	38.8 Mid
MIC.11180	SHPD6-6.4RS	Parabolic	6' (1.8m) SHP Antenna, 6.425-7.125 GHz	Dual	38.9 Mid
MIC.11181	SHPD6-6RS	Parabolic	6' (1.8m) SHP Antenna, 5.925-7.125 GHz	Dual	39.1 Mid
MIC.11182	SHPD8-5.9RS	Parabolic	8' (2.4m) SHPD Antenna, 5.925-6.425 GHz with 2x CPR137G Flanges	Dual	41.5 Mid
MIC.11184	SHPD8-6RS	Parabolic	8' (2.4m) SHPD Antenna, 5.725-7.125 GHz with 2x CPR137G Flanges	Dual	42.1 Mid
MIC.04682	FP1-5-24	Flat Panel	24 dBi, 5.15 - 5.85 GHz	Single	41.9 Mid
MIC.03215	RD2	Radome	2-ft., (0.6m) Molded Radome	NA	NA
MIC.10040	RD3	Radome	3-ft., (0.9m) Molded Radome	NA	NA
MIC.03068	RD6	Radome	6-ft., (1.8m) Molded Radome	NA	NA
MIC.03547	RD8	Radome	8-ft., (2.4m) Molded Radome	NA	NA
MIC.14494	SST-2/3	Side Strut	Side Struts - Stabilizer Arms for HP2, SP2, HP3 & SP3 Antennas	4 ft	NA
MIC.14495	SST-4/6	Side Strut	Side Struts - Stabilizer Arms for HP4, SP4, HP6 & SP6 Antennas	5 ft	NA

AT&T FirstNet Product Ordering Guide

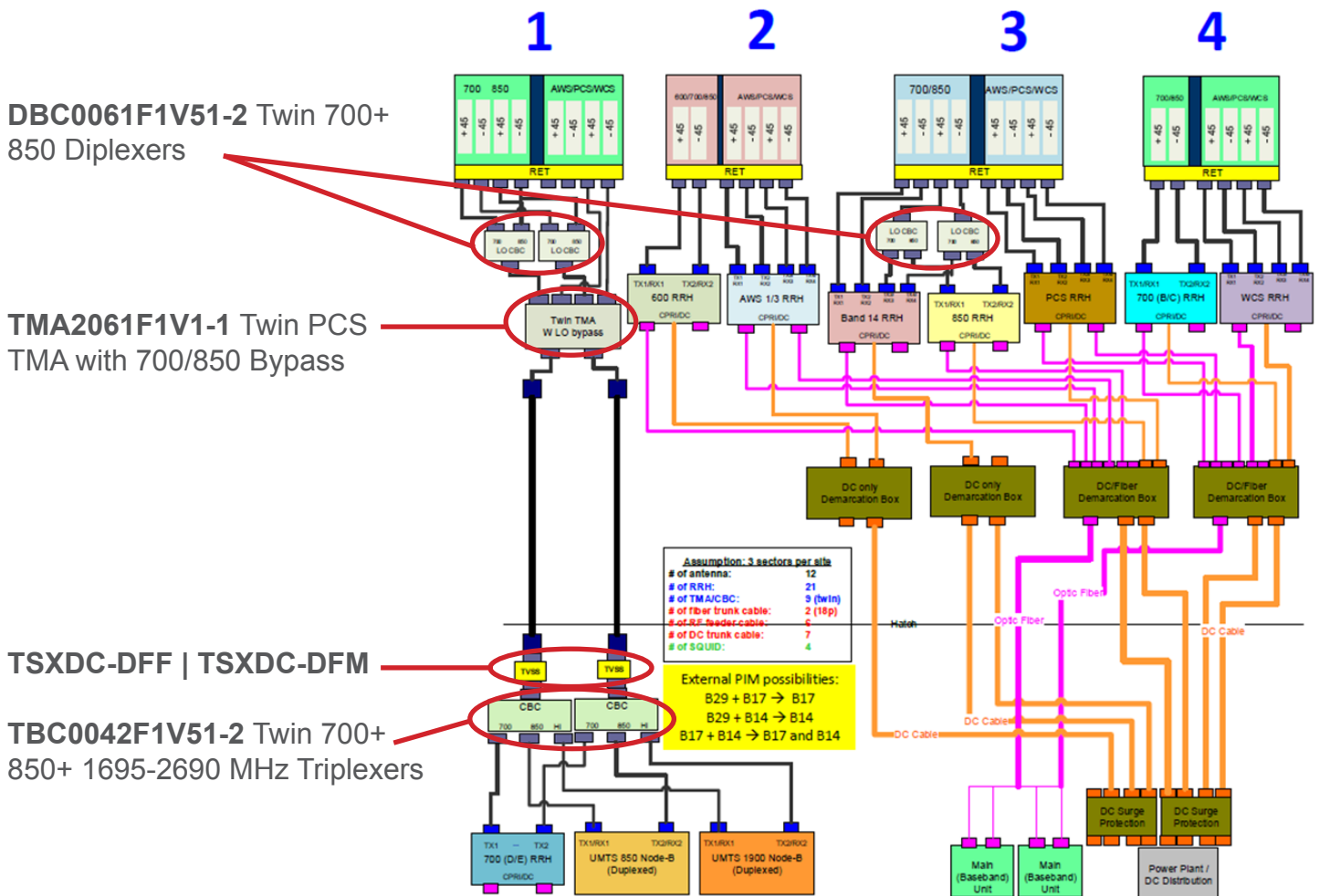
FirstNet AC | DC | RF Surge Protection Solutions

PolyPhaser and Transtector surge protection solutions ensure 24/7 FirstNet operability.

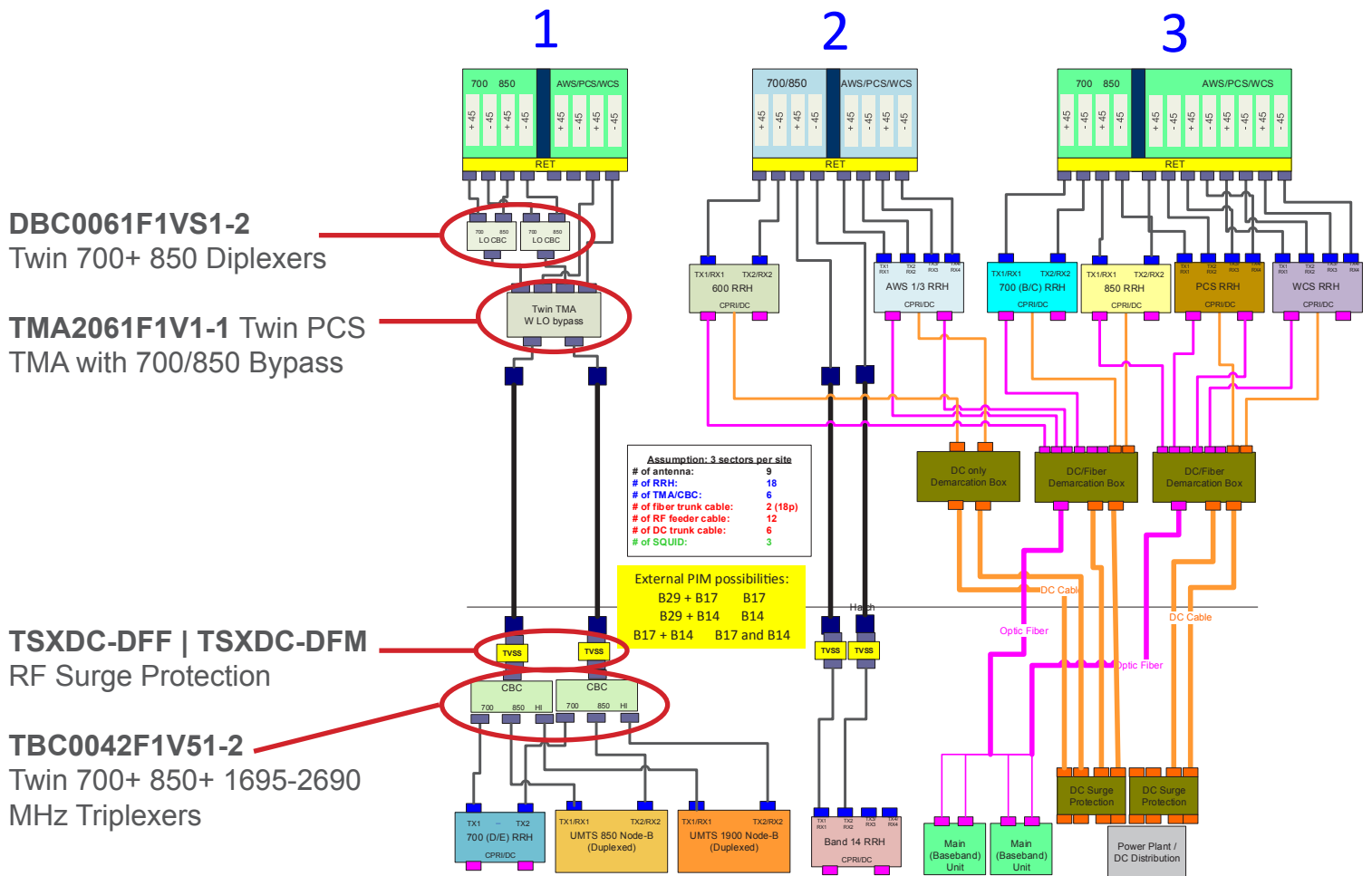
Item Master #	PolyPhaser Part #	Type	Description	Frequency	Equipment Protector	PIM Rated
ANT.16775	TSXDC-4310FF	RF Surge Protection	Bi-Directional High Pass Band Filter	698 MHz to 2.7 GHz	Bi-Directional DIN 4.3-10	Yes
ANT.16776	TSXDC-4310FM	RF Surge Protection	Bi-Directional High Pass Band Filter	698 MHz to 2.7 GHz	Bi-Directional DIN 4.3-10	Yes
NEQ.15892	ESXDC-DFM	RF Surge Protection	Bi-Directional High Pass Band Filter	698 MHz to 2.7 GHz	Bi-Directional DIN	Yes
	TSXDC-DFM	RF Surge Protection	Bi-Directional High Pass Band Filter	698 MHz to 2.7 GHz	Bi-Directional DIN	Yes
	TSXDC-DFF	RF Surge Protection	Bi-Directional High Pass Band Filter	698 MHz to 2.7 GHz	Female DIN	Yes
	DGXZ+06NFNF-A	RF Surge Protection	Hybrid DC Pass	800 MHz to 2.5 GHz	Female N	No

Item Master #	Transtector Part #	Type	Description
NEQ.14340	1101-1044	Data Line Surge Protection	Indoor, Silicon, TSJ X6 GbE Six Port RJ45 GbE Protector
NEQ.14341	1101-1044-2	Data Line Surge Protection	Indoor, Silicon, TSJ X6 GbE Two Port RJ45 GbE Protector
NEQ.12873	1101-460	AC Surge Protection	Outdoor, Silicon / MOV, APEX IV 120/240 V Split Phase
NEQ.12869	1101-299	AC Surge Protection	Indoor, Silicon / MOV, MCP 120 / 240 Split Phase
PID.316062405	1101-1008	DC Power Distribution	Indoor, DC EDGE, Compact 1RU, High Current Dual Feed, 350 A Power Distribution Unit

FirstNet Sector Example 1



FirstNet Sector Example 2



Contact Us

For further information on FirstNet approved products, technical specifications or services, please contact your regional AT&T account manager.

National AT&T Account Manager
Keith Fisher
 1 470 282 7215
kfisher@infinatelectronics.com

